



NorthCape

Replacement Cushions

1411 Enterprise Dr.
Romeoville, IL 60446

NorthCape.com

708.563.2890 ph
708-563-2899 fax
V202401A

Give your patio furniture an instant update with NorthCape's broad selection of replacement cushions.

Whether you need to replace a worn cushion set or want to add a pop of color to your patio furniture, our replacement cushions are designed to withstand the elements beautifully, season after season.



NorthCape offers a wide selection of premium Sunbrella® fabrics for our replacement cushions. Sunbrella® solution-dyed acrylic fabrics are made from acrylic fibers in which the pigment and UV-inhibitors are added at the liquid stage, before the strands are formed into threads. This makes the fibers more resistant to fading because the color and UV-inhibitors go all the way through each thread instead of being applied only to the outside. In addition, the acrylic fibers used in this process also impart a softer feel to the fabric. Industry-leading Sunbrella® performance fabrics are also bleach-cleanable!

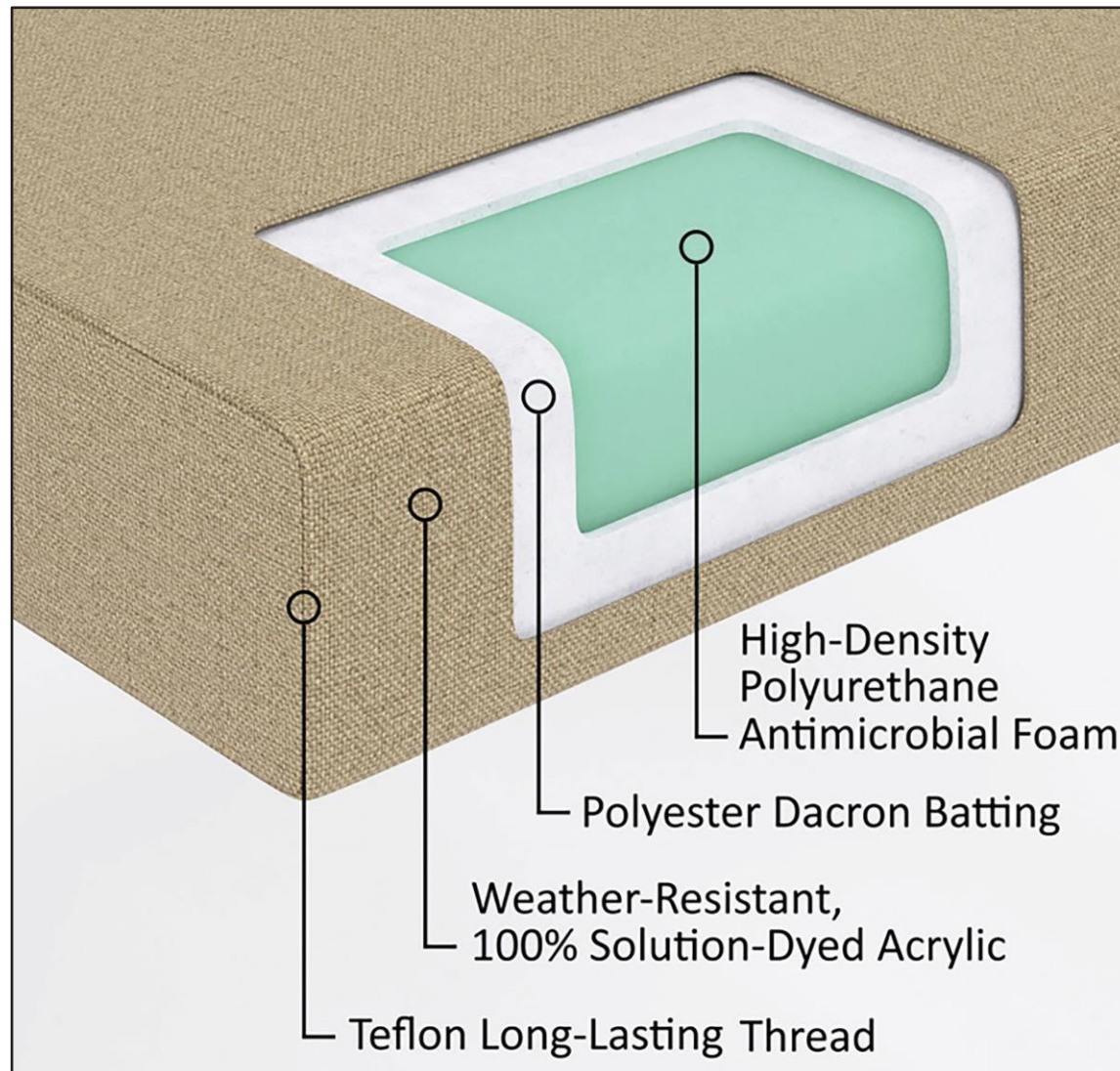


NorthCape offers 9 proprietary premium Belenos fabrics for our replacement cushions. Belenos solution-dyed poly fabrics are an all-weather fabric, stain resistant, soft and breathable, and bleach-cleanable!

PREMIUM CONSTRUCTION

Our 3-layer premium cushion construction is comprised of (1) a supportive, yet comfortable cushion core, (2) a strong, wrinkle-resistant layer of polyester fiber, and (3) the outdoor performance fabric of your choice. This 3-layer construction provides the best in both comfort and longevity for your replacement cushions set.

Dacron is used on most seat cushions. Exclusions include dining chairs, chaise lounges and a variety of ottomans.



Cushion Styles

We offer many style options including these:

BULLNOSE



BOX



WATERFALL



KNIFE



SEAT PADS



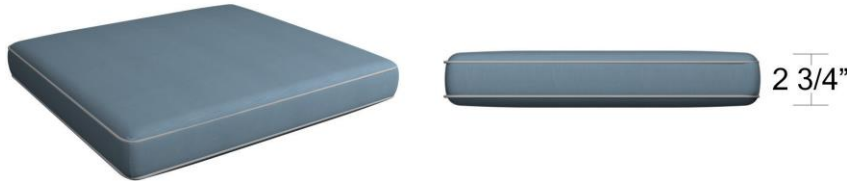
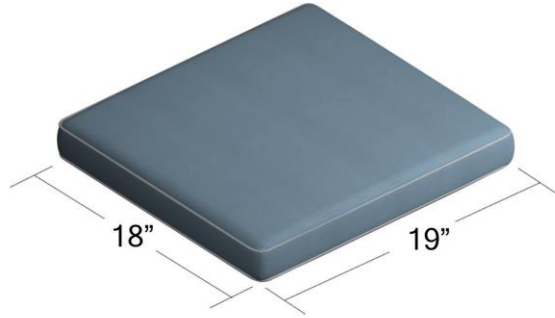


SEAT PADS



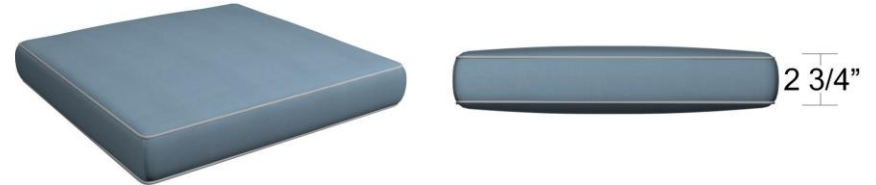
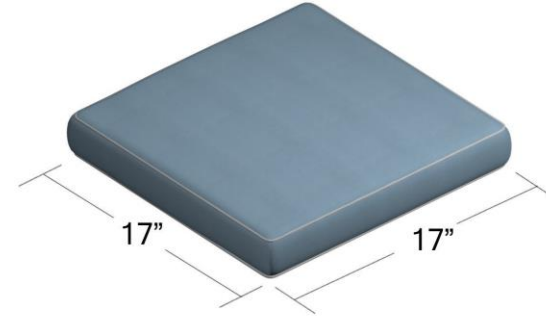
CUSH415DC

18"W x 19"L x 2¾"Th.
With welt, boxed style



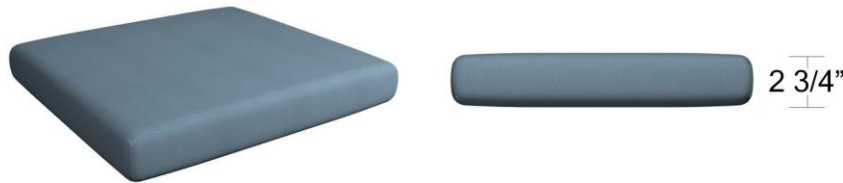
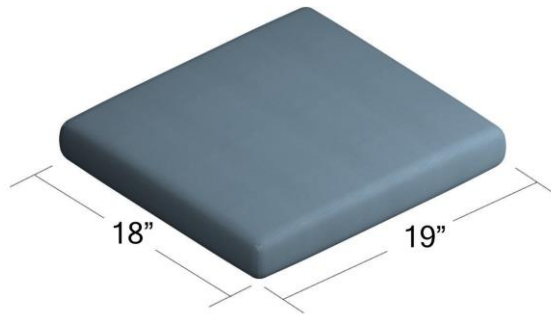
CUSH415DCS

17"W x 17"L x 2¾"Th.
With welt, boxed style



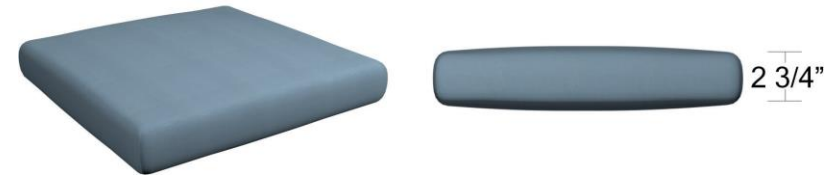
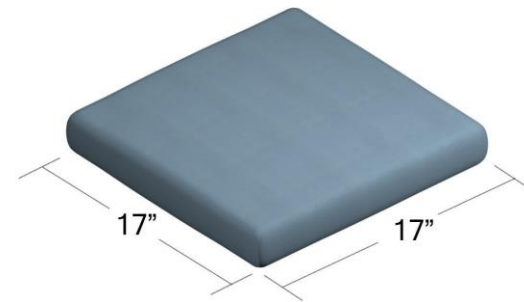
CUSH416DC

18"W x 19"L x 2¾"Th.
No welt, Bullnose/waterfall style



CUSH416DCS

17"W x 17"L x 2¾"Th.
No welt, Bullnose/waterfall style



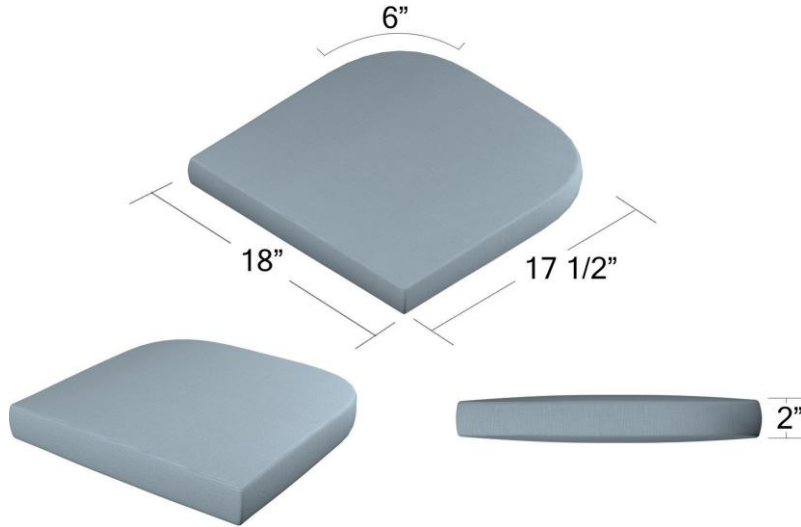


SEAT PADS



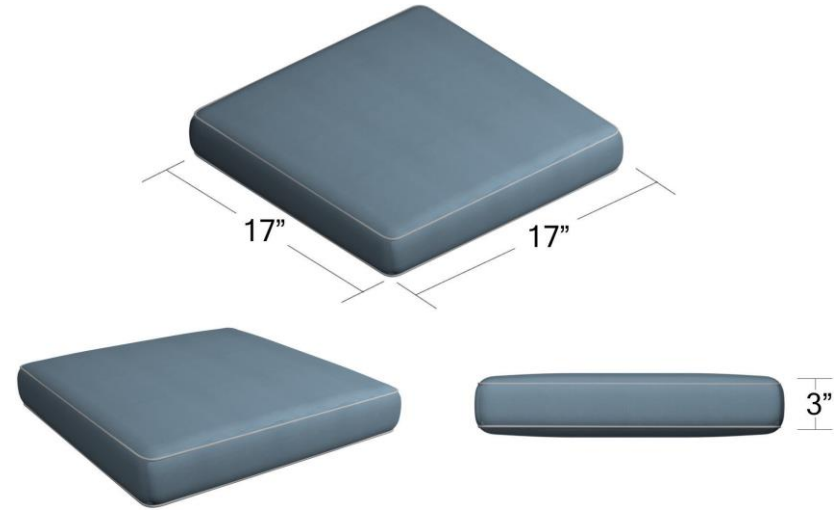
CUSH296

18"W x 17½"L x 2"Th.
No welt, knife edge, 6" radius on back edges



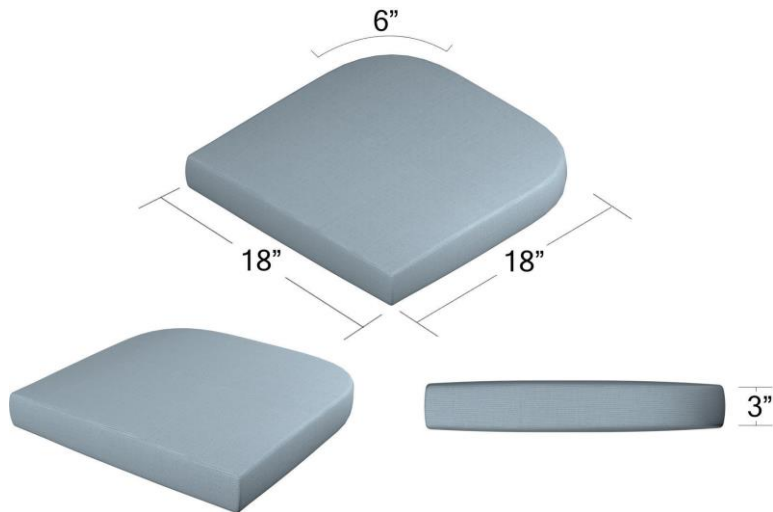
CUSHREPL17

17" W x 17" L x 3" Th.
Boxed style with welt



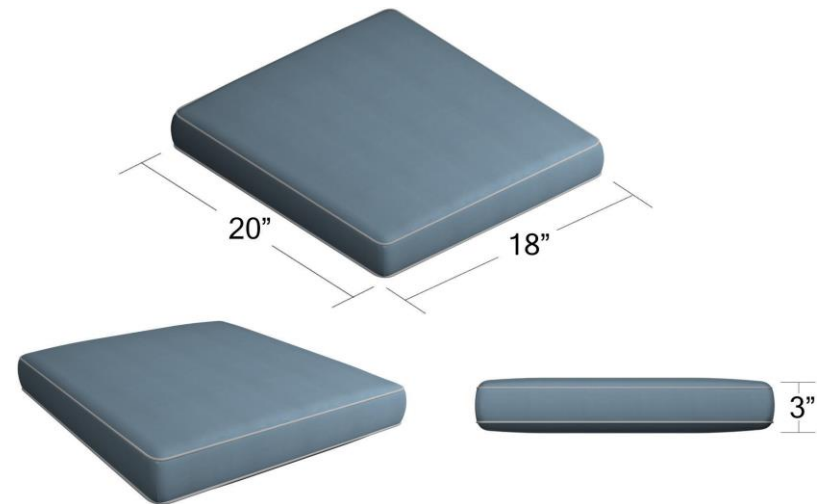
CUSH3450C

18"W x 18"L x 3"Th.
No welt, knife edge, 6" radius on back edges



CUSHREPL20

20"W x 18"L x 3" Th.
Boxed style with welt





SEAT PADS

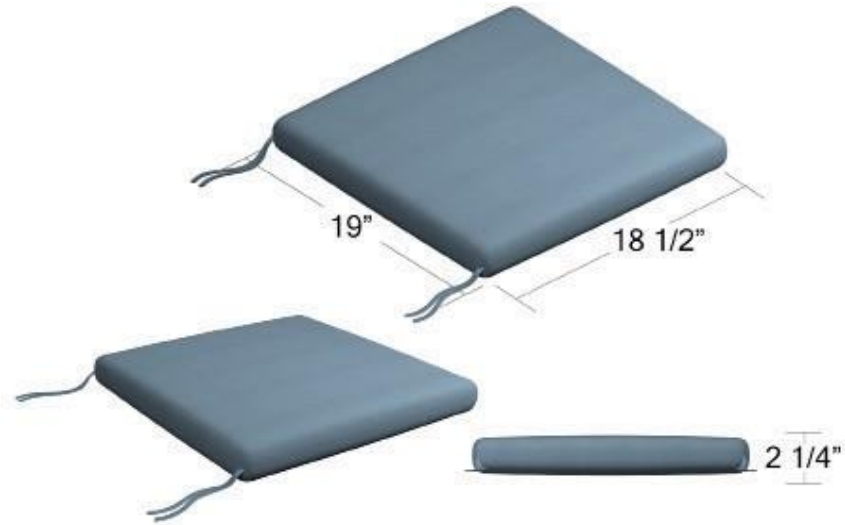
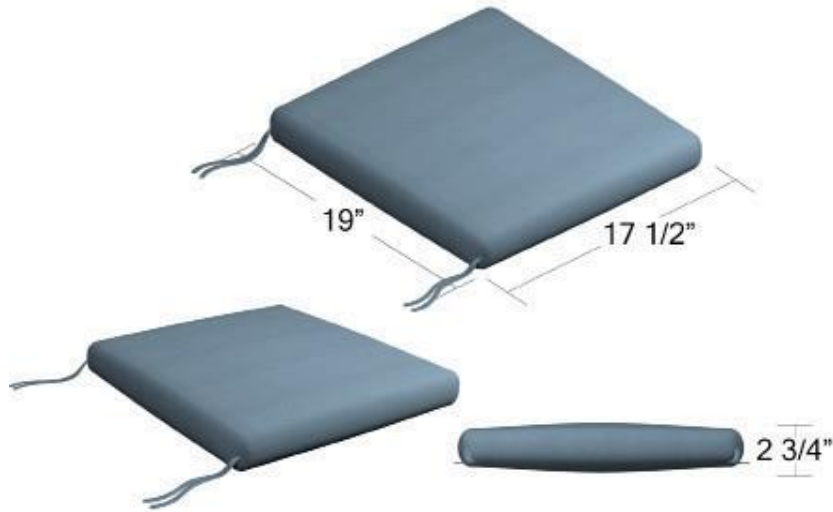


C-31DRC

19"W x 17½"L x 2¾"Th.
No welt, boxed style

C-32DRC

19"W x 18½"L x 2¼"Th.
No welt, boxed style

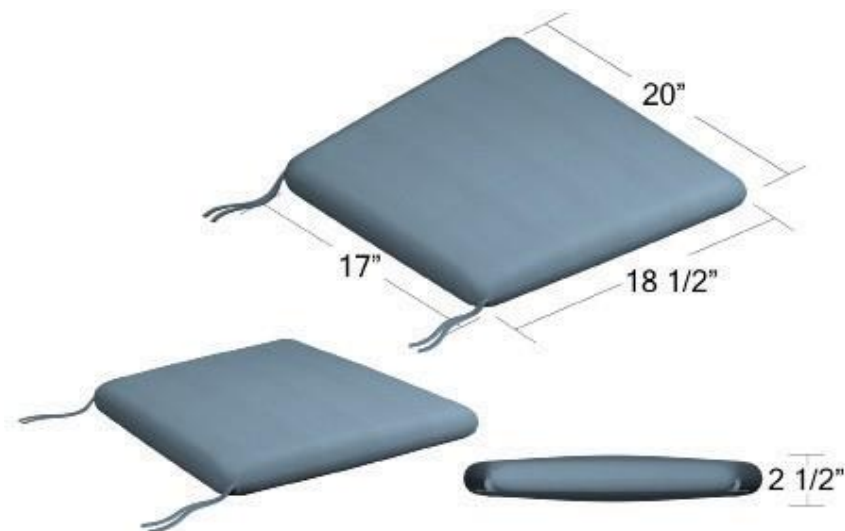
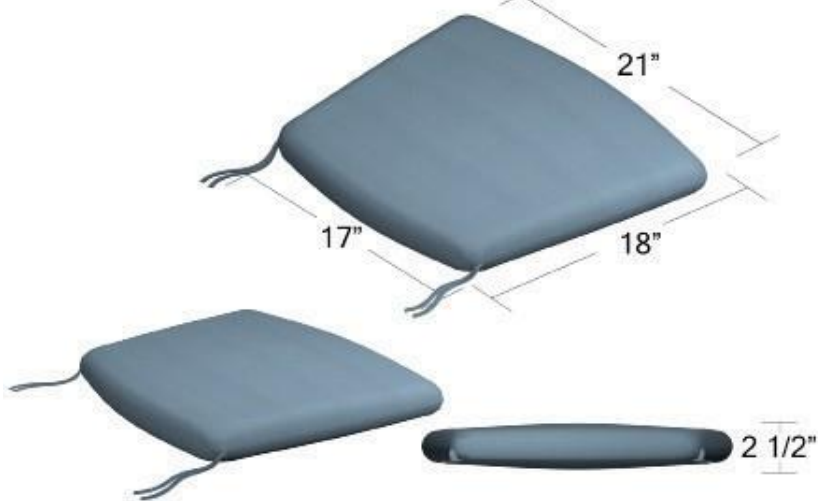


C-321DRC

17/21"W x 18"L x 2½"Th.
No welt, knife edge

CC-2018RC

17/20"W x 18½"L x 2½"Th.
No welt, knife edge



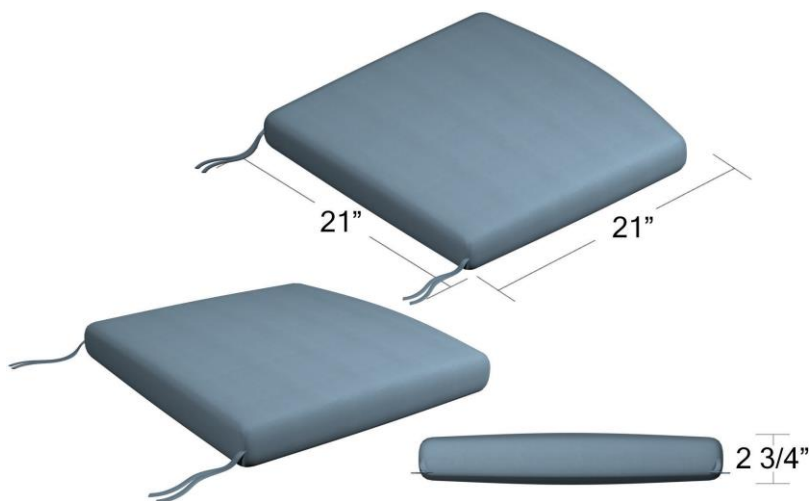


SEAT PADS



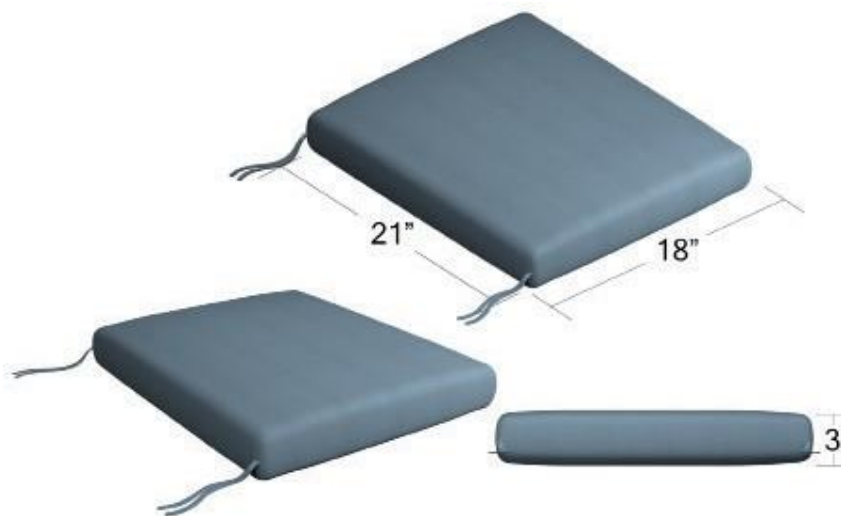
CHM1548-CC12RC

21"W x 21"L x 2¾"Th.
No welt, knife edge



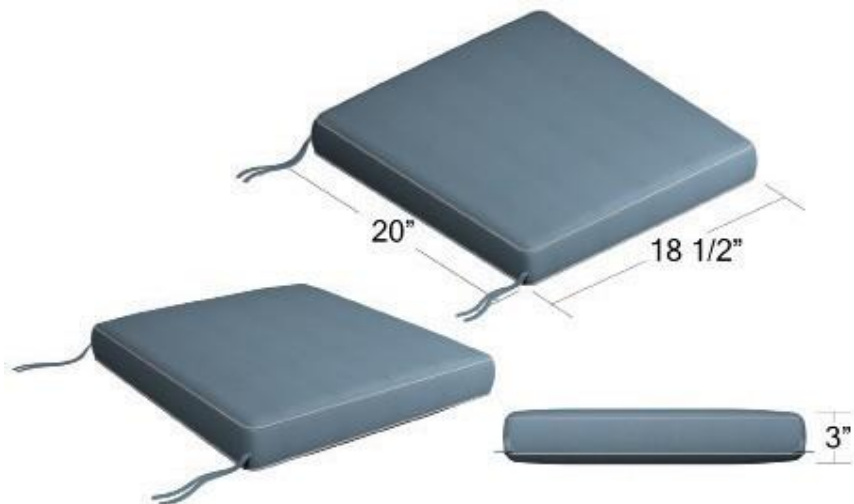
691084RC

21"W x 18"L x 3"Th.
No welt, boxed style



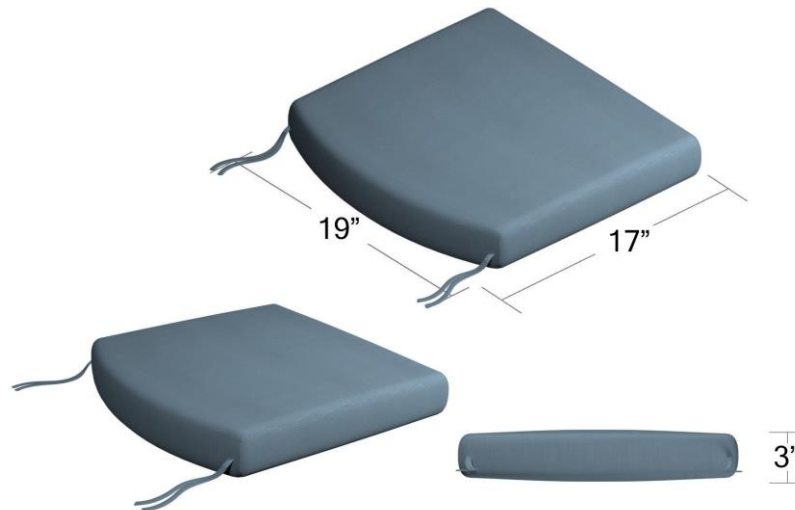
GEN02RC

20"W x 18½"L x 3" Th.
Boxed style with welt



HB1-RC

19"W x 17"L x 3"Th.
No welt, bullnose style



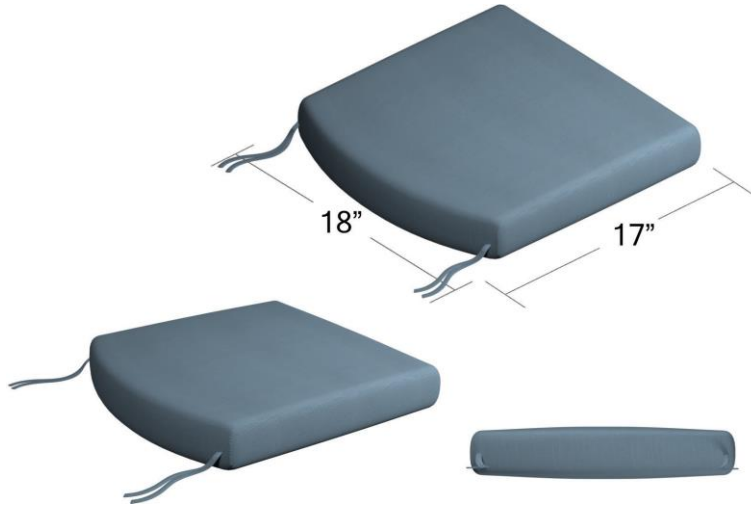


SEAT PADS



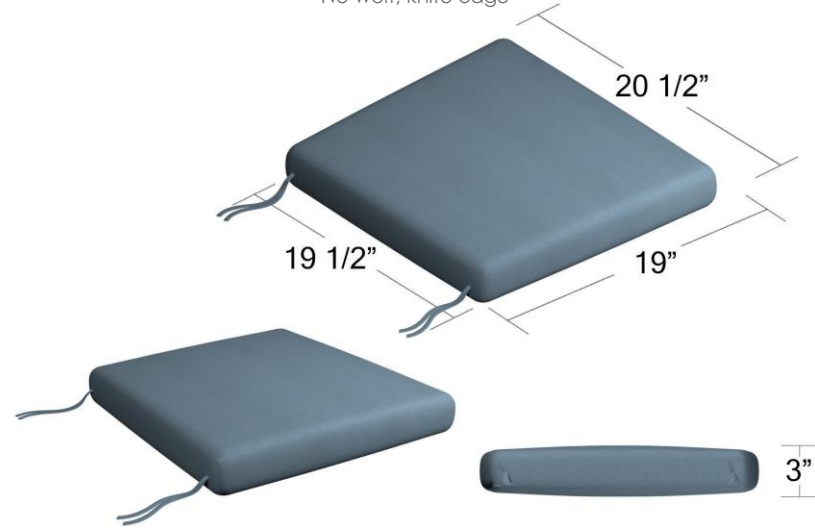
C-33DRC

18"W x 17"L x 3"Th.
No welt, bullnose style



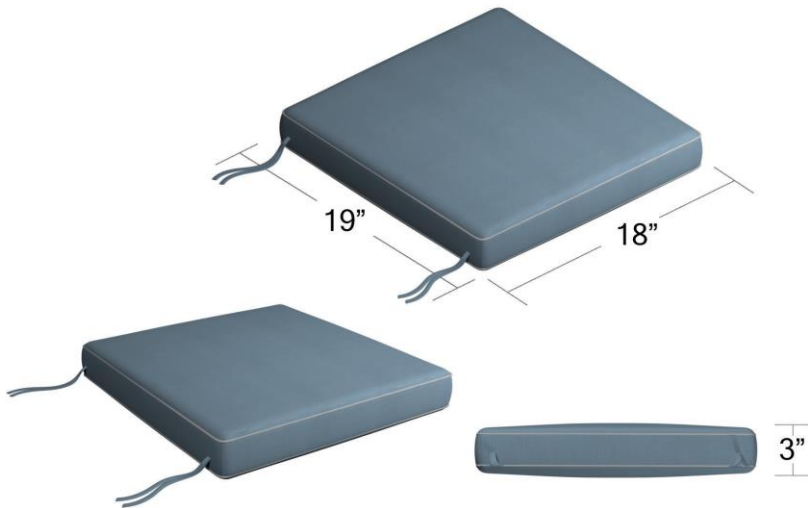
C-32D-GT-RC

19½" / 20½" W x 19"L x 3"Th.
No welt, knife edge



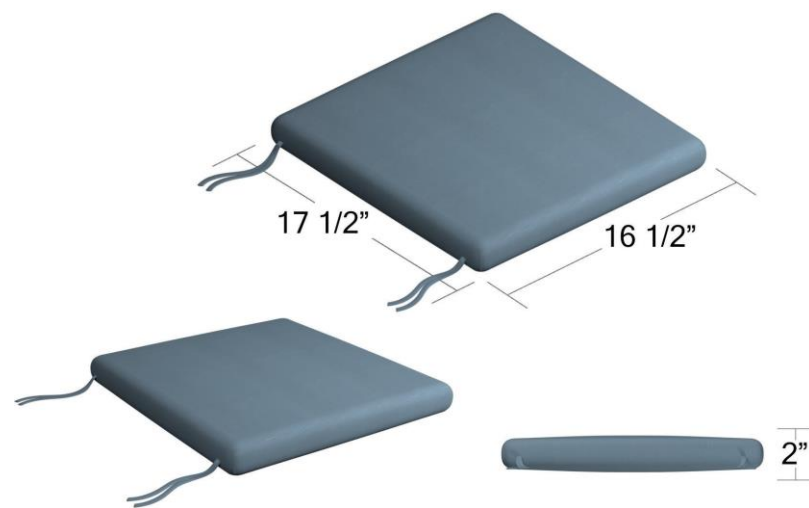
CUS-15-KB-RC

19"W x 18"L x 3"Th.
No welt, boxed style



PW35076DC-RC

17½"W x 16½"L x 2"Th.
No welt, knife edge



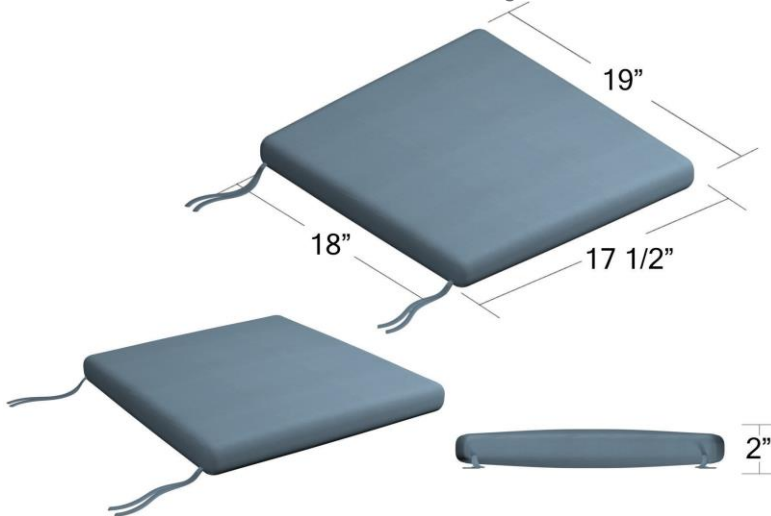


SEAT PADS



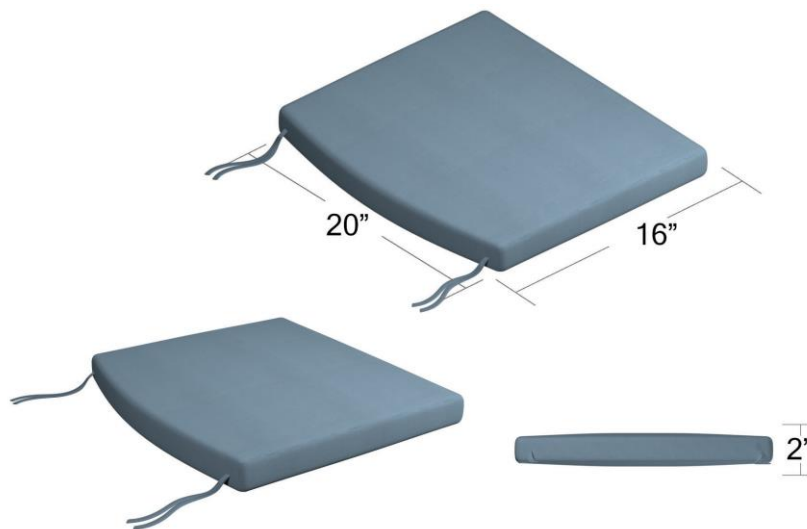
PW35088DC-RC

18/19"W x 17½"L x 2"Th.
No welt, knife edge



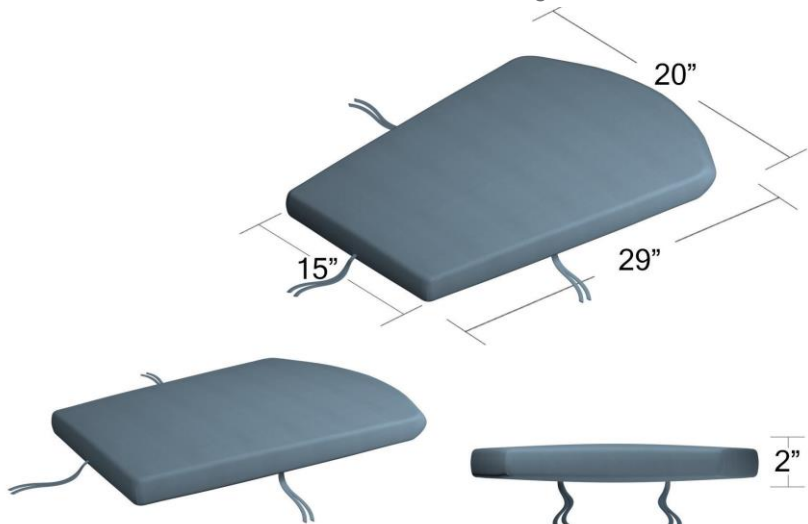
PW35093DC-RC

20"W x 16"L x 2"Th.
No welt, knife edge



PW-SHELL-RC

15/20"W x 29"L x 2" Th.
No welt, knife edge



LOVESEAT BENCHES



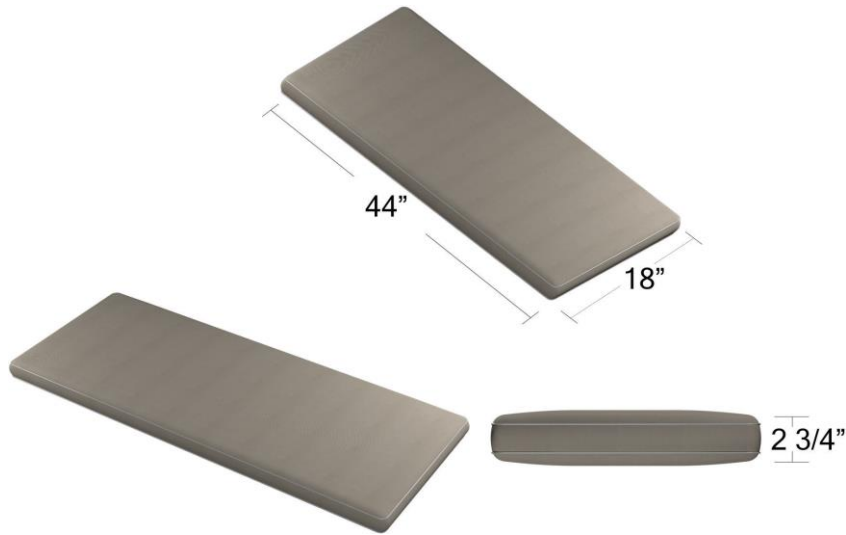


LOVESEAT BENCHES



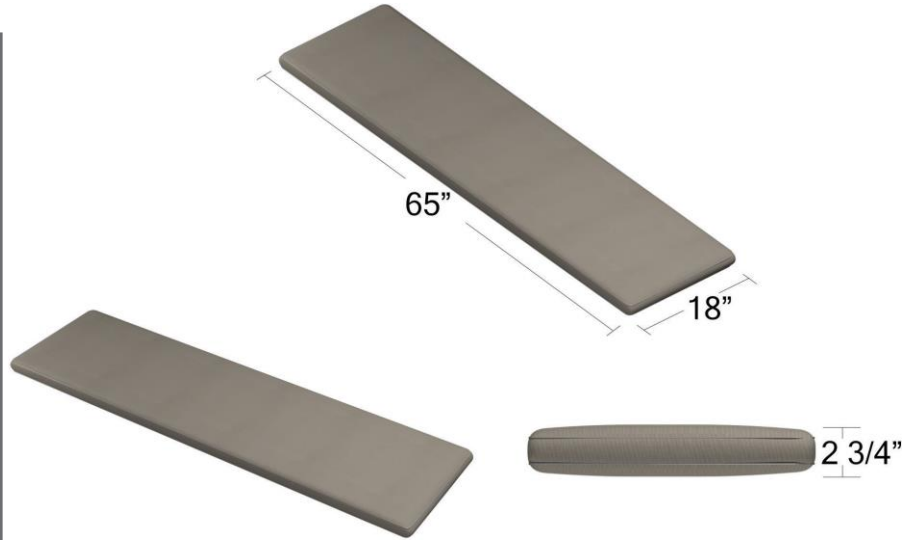
CUSH415DLS

18"W x 44"L x 2 3/4"Th.
Welted, boxed style



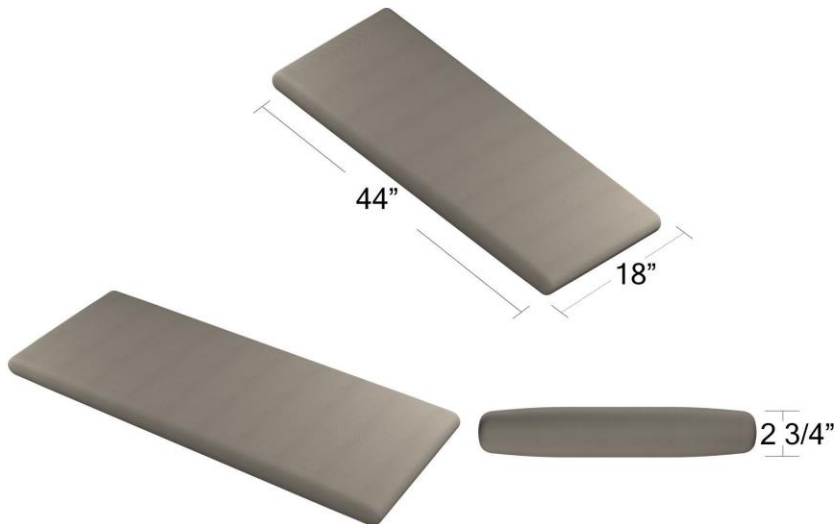
CUSH270DBC

18"W x 65"L x 2 3/4"Th.
Welted, boxed style



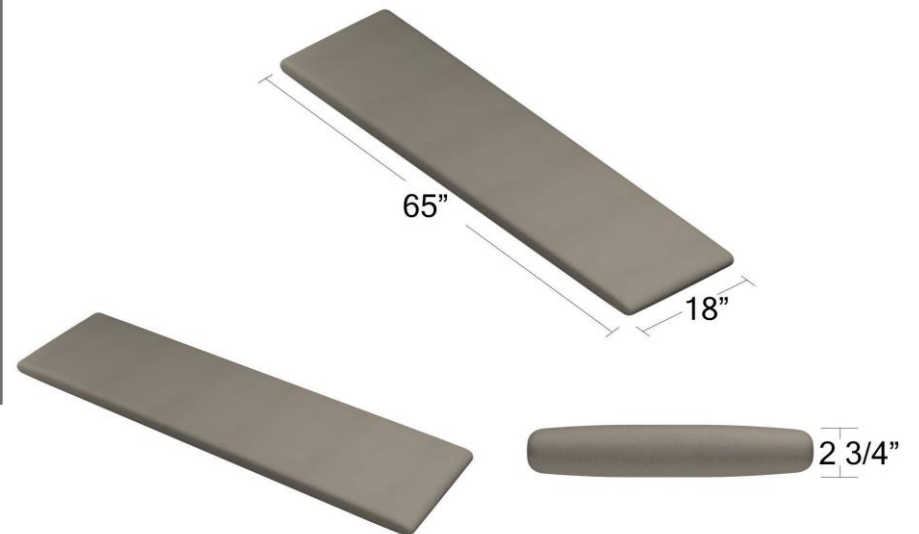
CUSH416DLS

18"W x 44"L x 2 3/4"Th.
No welt, Bullnose/waterfall style



CUSH271DBC

18"W x 65"L x 2 3/4"Th.
No welt, Bullnose/waterfall style





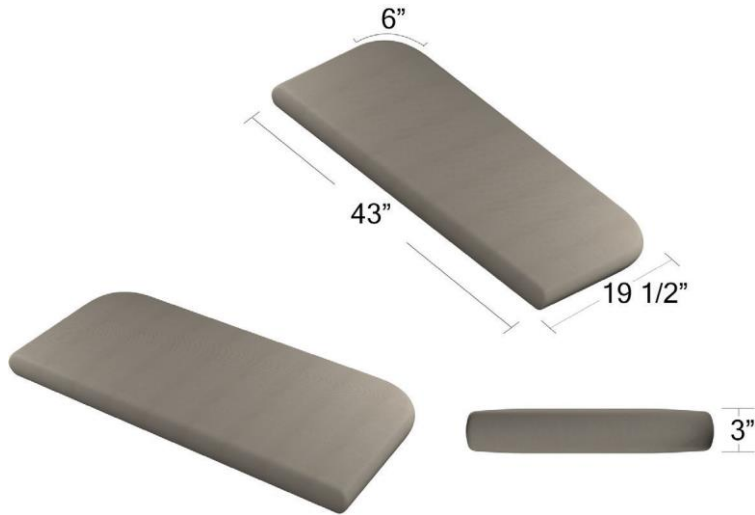
LOVESEAT BENCHES



CUSH300LS

19½"W x 43"L x 3"Th.

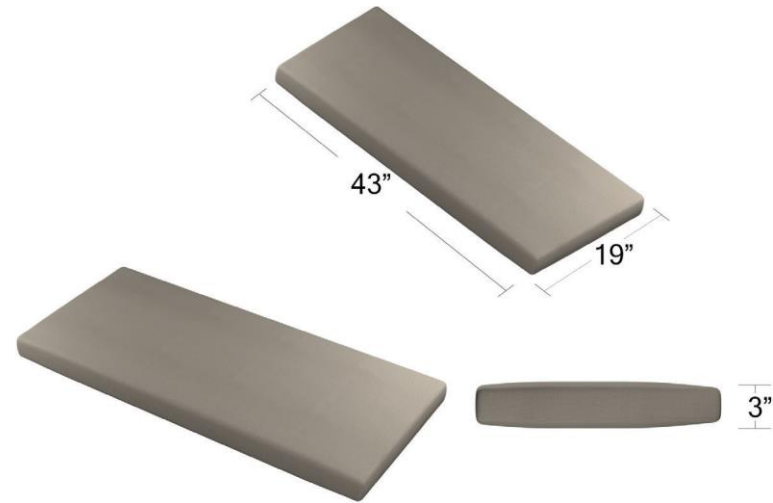
No welt, Bullnose/waterfall style, 6" radius on back edges



CUSH3450LS

19"W x 43"L x 3"Th.

No welt, knife edge



CHAISE LOUNGES



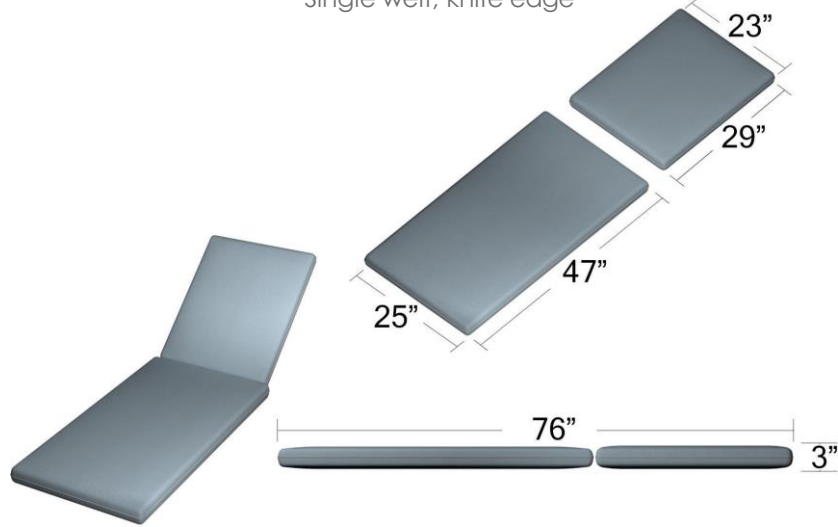


CHAISE LOUNGES



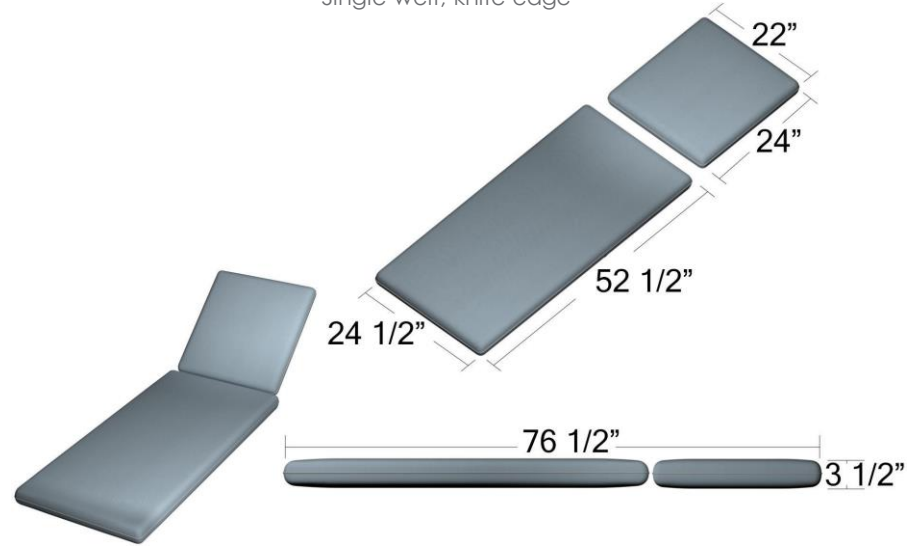
CUSH415SACL

Seat: 25"W x 47"L x 3"Th. - Back: 23"W x 29"H x 3"Th.
Single welt, knife edge



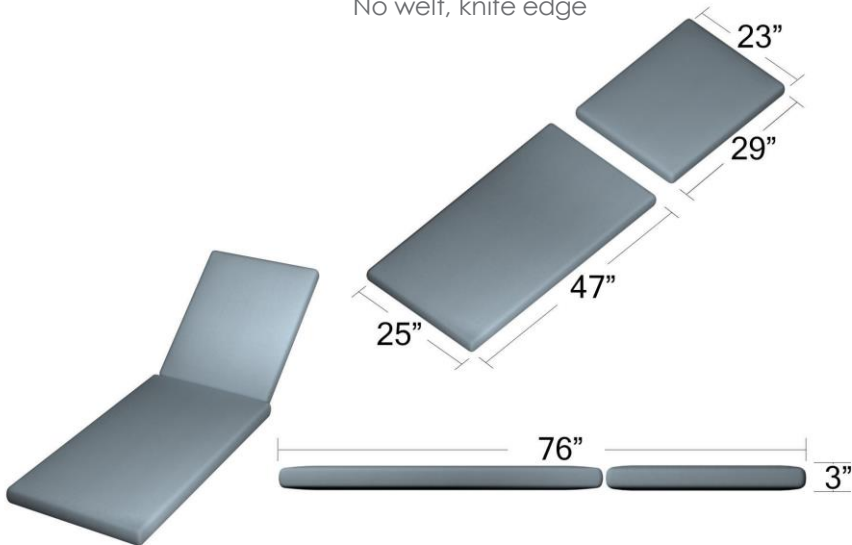
CUSHREPLCL

Seat: 24½"W x 52½"L x 3½"Th. - Back: 22"W x 24"H x 3½"Th.
Single welt, knife edge



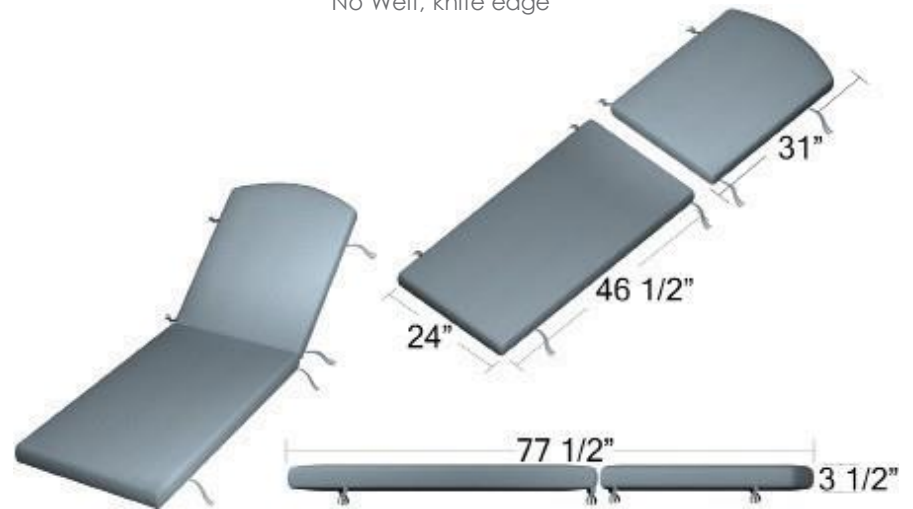
CUSH416SACL

Seat: 25"W x 47"L x 3"Th. - Back: 23"W x 29"H x 3"Th.
No welt, knife edge



696094RC

Seat: 24"W x 46½"L x 3½"Th. - Back: 24"W x 31"H x 3½"Th.
No Welt, knife edge



OTTOMANS



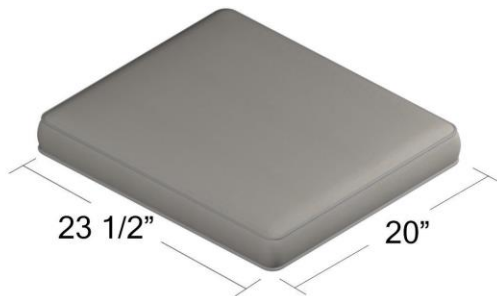


OTTOMANS



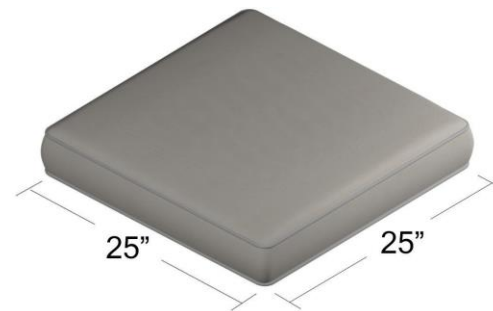
CUSH270OR

23½"W x 20"L x 3½"Th.
Boxed style, with welt



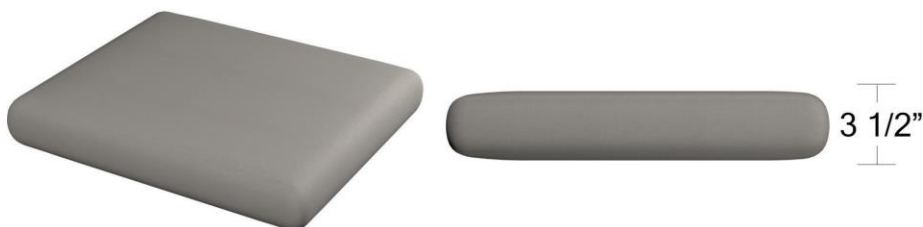
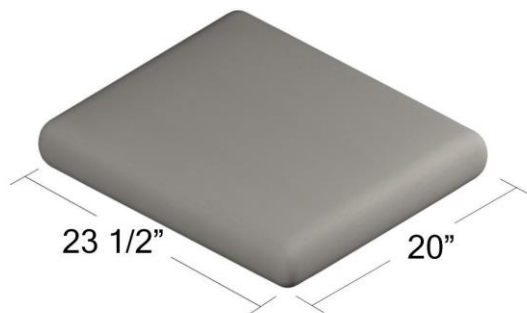
CUSH270O

25"W x 25"L x 5"Th.
Boxed style, with welt



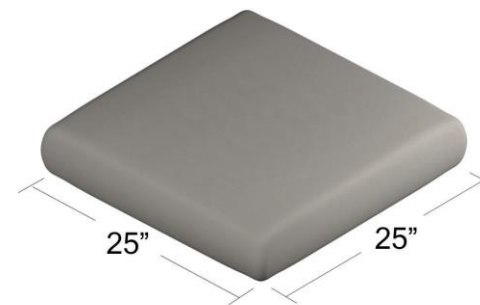
CUSH271OR

23½"W x 20"L x 3½"Th.
Bullnose/waterfall style, no welt



CUSH271O

25"W x 25"L x 5"Th.
Bullnose/waterfall style, no welt



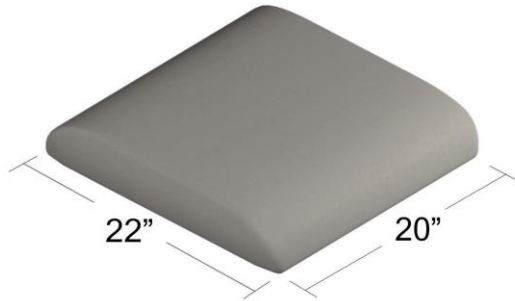


OTTOMANS



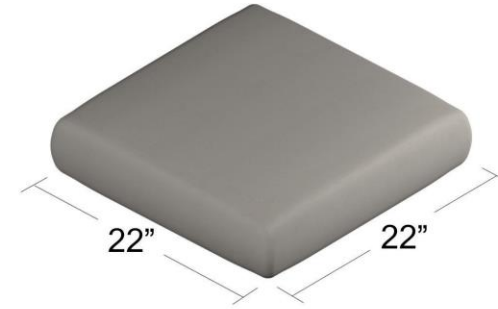
CUSH6000

22"W x 20"L x 4"Th.
Bullnose/waterfall style, no welt



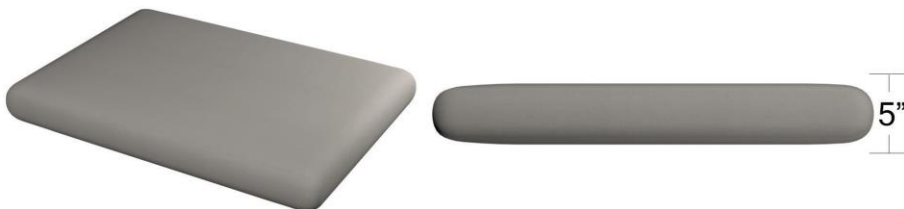
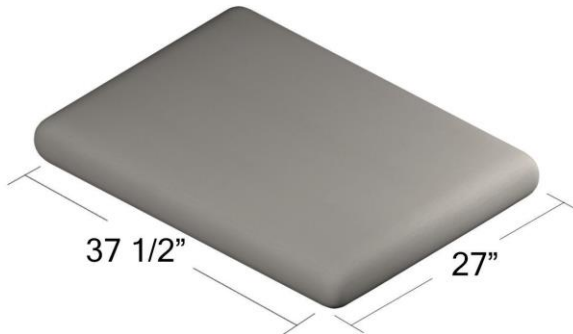
CUSH2015OSQ

22"W x 22"L x 5"Th.
Bullnose/waterfall style, no welt



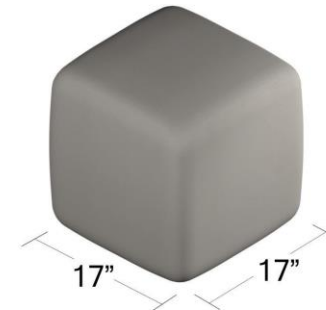
CUSH283CTO

37½"W x 27"L x 5"Th.
Bullnose/waterfall style, no welt



CUSH775FC OTTOMAN/POUF

17"W x 17"L x 17"Th.
Seamed at edges, no welt



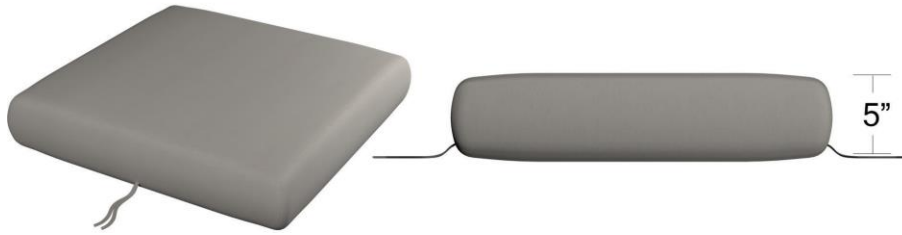
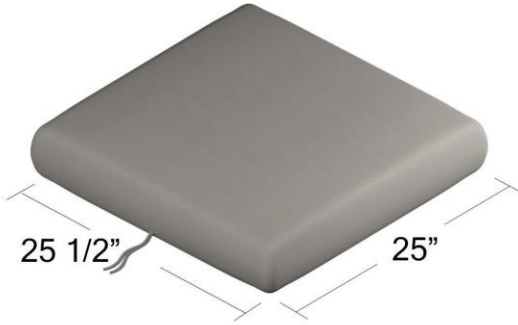


OTTOMANS



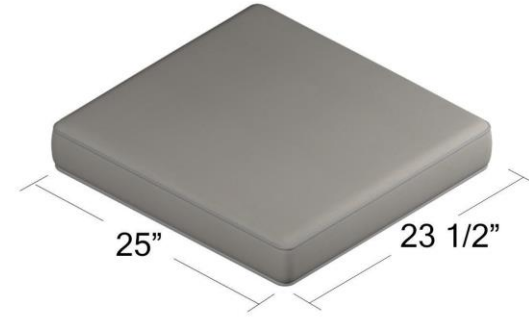
695224RC

25"W x 25½ "L x 5"Th.
Box style, no welt



PW010-RC

25"W x 23½ "L x 4½"Th.
Box style, no welt



DEEP SEATING





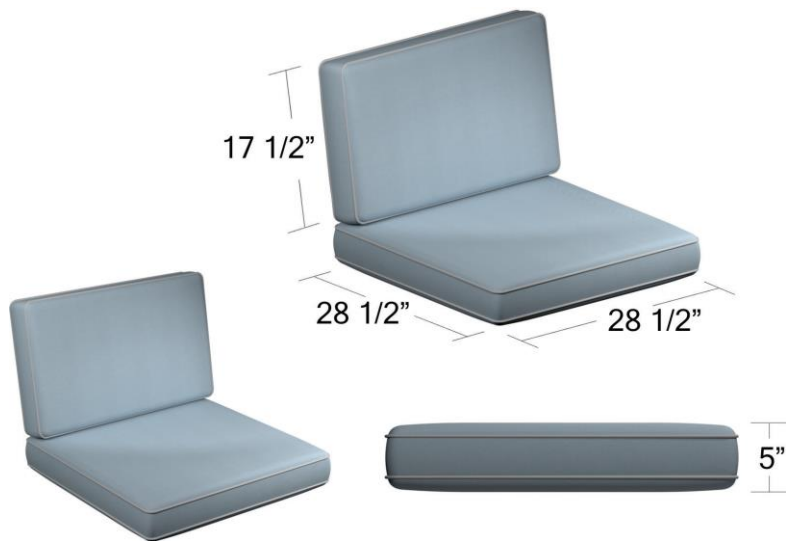
DEEP SEATING



CUSH260C

Seat: 28½"W x 28½"L x 5"Th. - Back: 28½"W x 17½"H x 5"Th.
Boxed style, with welt

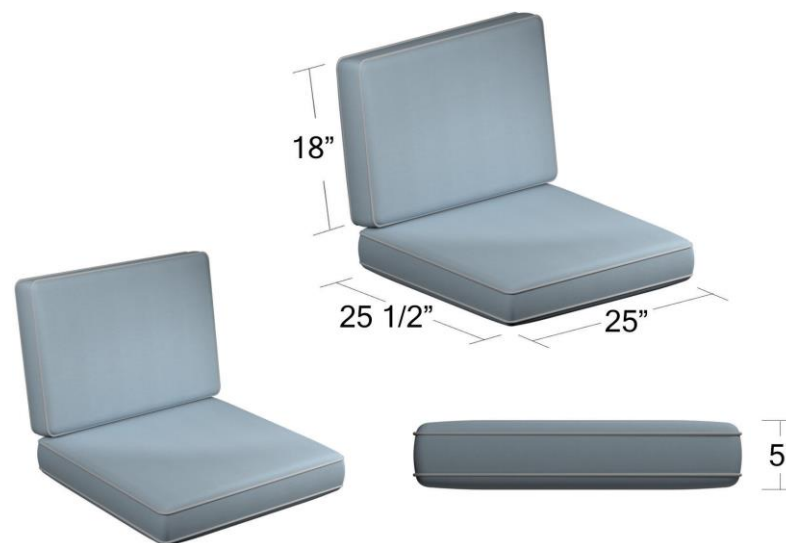
* Use 3 to make a sofa cushion set, 2 to make a loveseat cushion set



CUSH270C

Seat: 25"W x 25½"L x 5"Th. - Back: 25"W x 18"H x 5" Th.
Boxed style, with welt

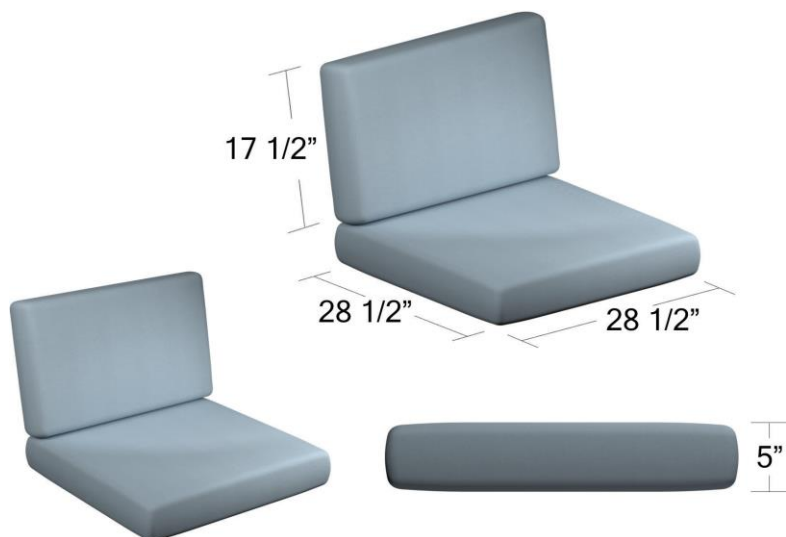
* Use 3 to make a sofa cushion set, 2 to make a loveseat cushion set



CUSH261C

Seat: 28½"W x 28½"L x 5"Th. - Back: 28½"W x 17½"H x 5"Th.
Bullnose/waterfall style, no welt

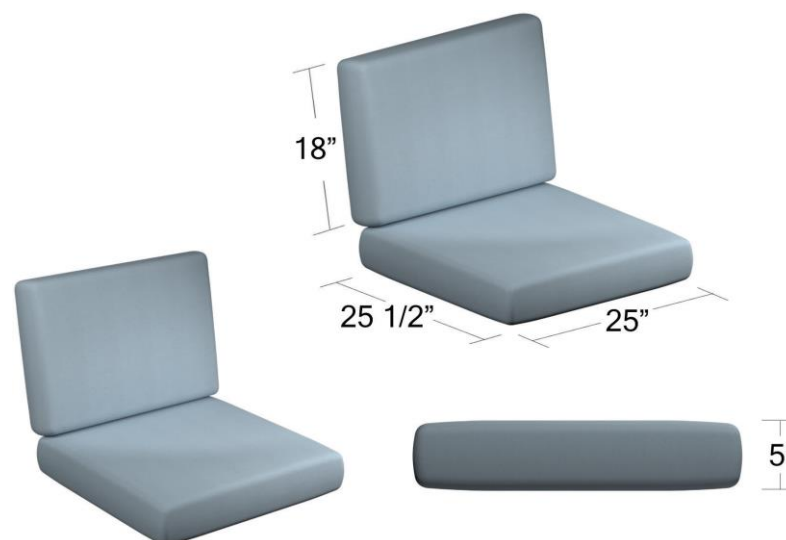
* Use 3 to make a sofa cushion set, 2 to make a loveseat cushion set



CUSH271C

Seat: 25"W x 25½"L x 5"Th. - Back: 25"W x 18"H x 5" Th.
Bullnose/waterfall style, no welt

* Use 3 to make a sofa cushion set, 2 to make a loveseat cushion set





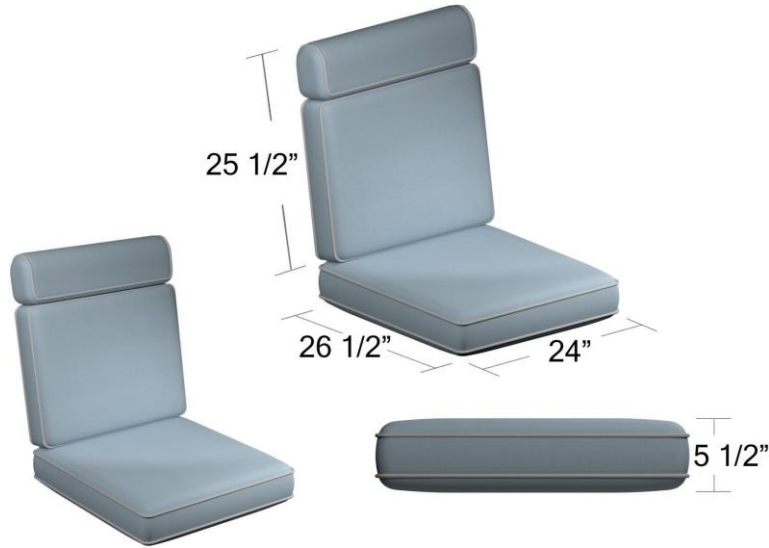
DEEP SEATING



CUSH4312C

Seat: 24"W x 26½"L x 5½"Th. - Back: 24"W x 25½"H x 5"Th.
Boxed style, headrest-style back, with welt

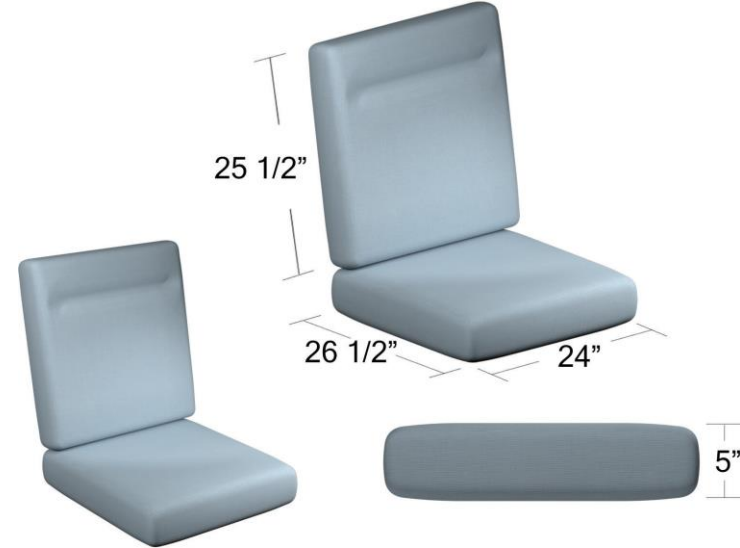
* Use 3 to make a sofa cushion set, 2 to make a loveseat cushion set



CUSH4345C

Seat: 24"W x 26½"L x 5½"Th. - Back: 24"W x 25½"H x 5"Th.
Bullnose seat, stitched back, no welt, no button

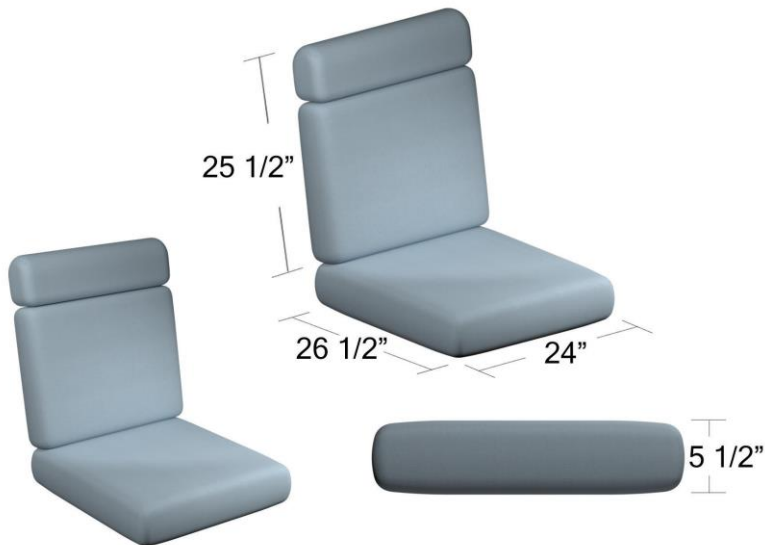
* Use 3 to make a sofa cushion set, 2 to make a loveseat cushion set



CUSH4313C

Seat: 24"W x 26½"L x 5½"Th. - Back: 24"W x 25½"H x 5"Th.
Reticulated bullnose seat, headrest-style back, no welt

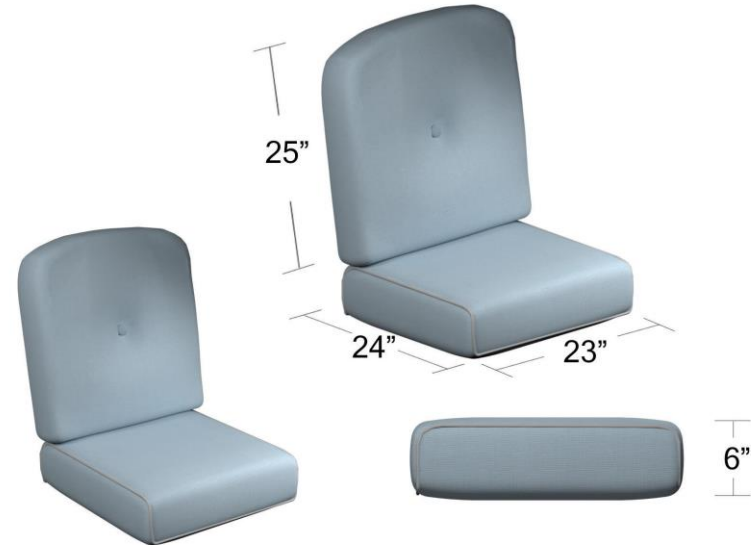
* Use 3 to make a sofa cushion set, 2 to make a loveseat cushion set



CUSH3350C

Seat: 23"W x 24"L x 7"Th. - Back: 24"W x 25"H x 6" Th.
Bullnose style with back button and tufted top corners

* Use 3 to make a sofa cushion set, 2 to make a loveseat cushion set



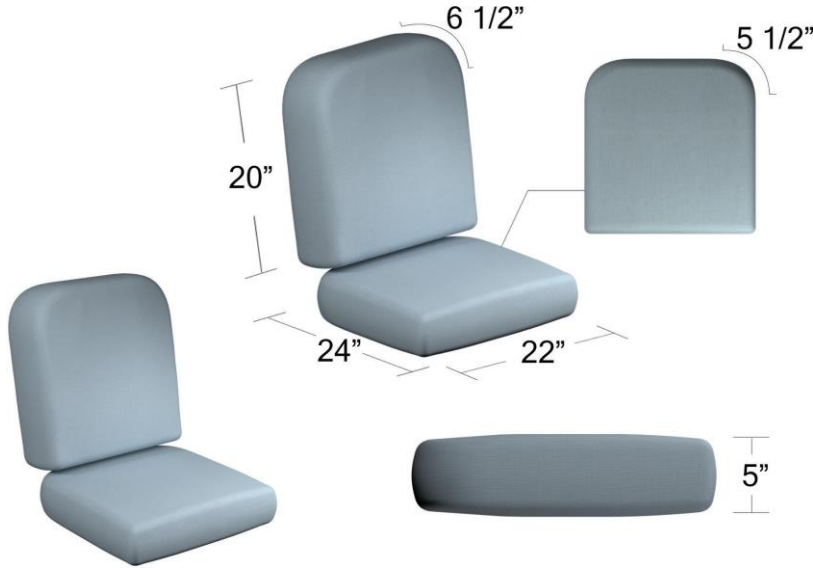


DEEP SEATING



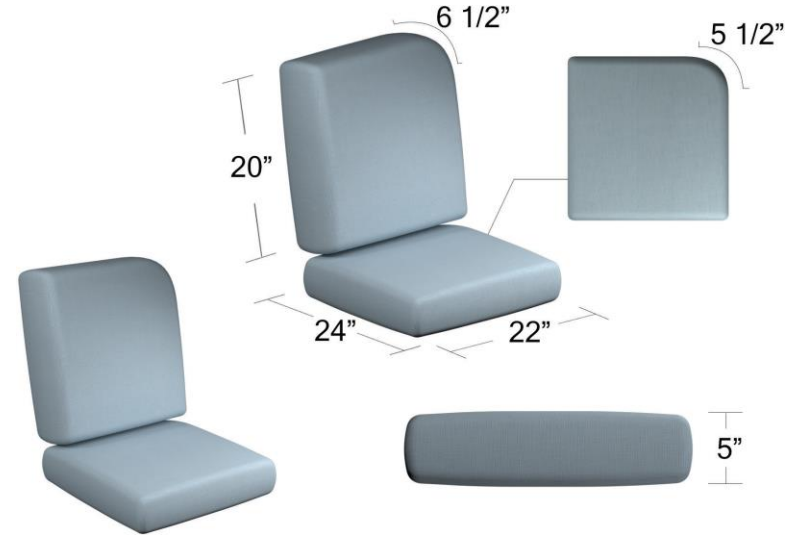
CUSH600C

Seat: 22"W x 24"L x 5"Th. - Back: 24"W x 20"H x 9"Th.
Bullnose/waterfall style, no welt
5 1/2" radius on back side of seat, 6 1/2" radius at top corners



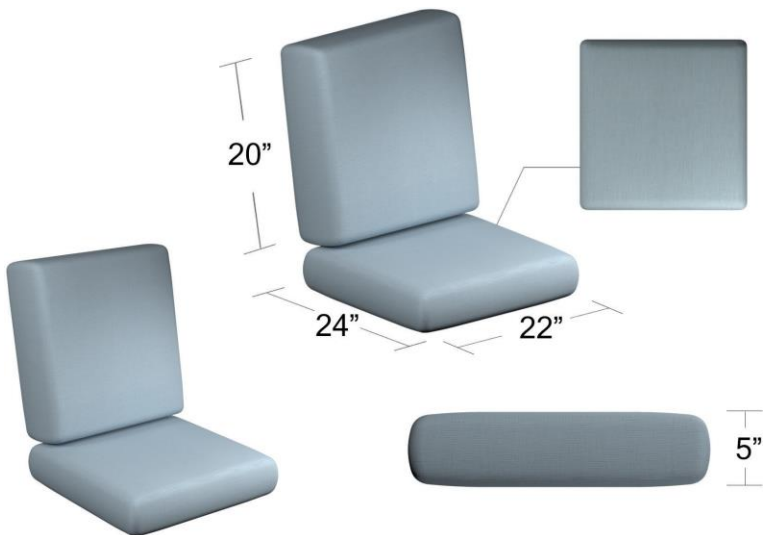
CUSH600-END

Seat: 22"W x 24"L x 5"Th. - Back: 24"W x 20"H x 9"Th.
Bullnose/waterfall seat cushions, knife edge back cushions
5 1/2" radius on one side of seat, 6 1/2" radius at one top corner
** Cushions for the ends of a 3 seat sofa*



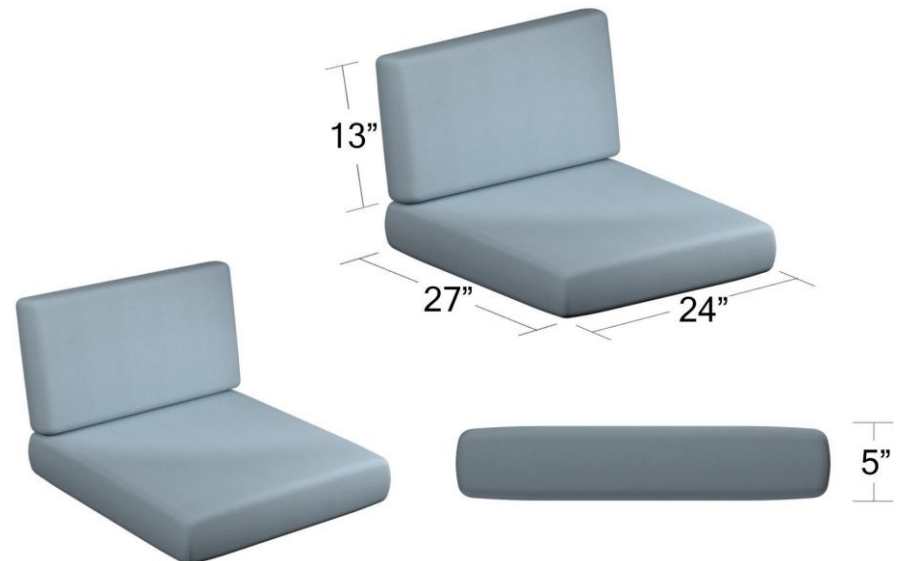
CUSH600-MID

Seat: 22"W x 24"L x 5"Th. - Back: 24"W x 20"H x 9"Th.
Bullnose/waterfall seat cushions, knife edge back cushions
** Square cushions for the middle section of a 3 seat sofa*



CUSH283C

Seat: 24"W x 27"L x 5"Th. - Back: 24"W x 13"H x 4"Th.
Bullnose/waterfall style, no welt



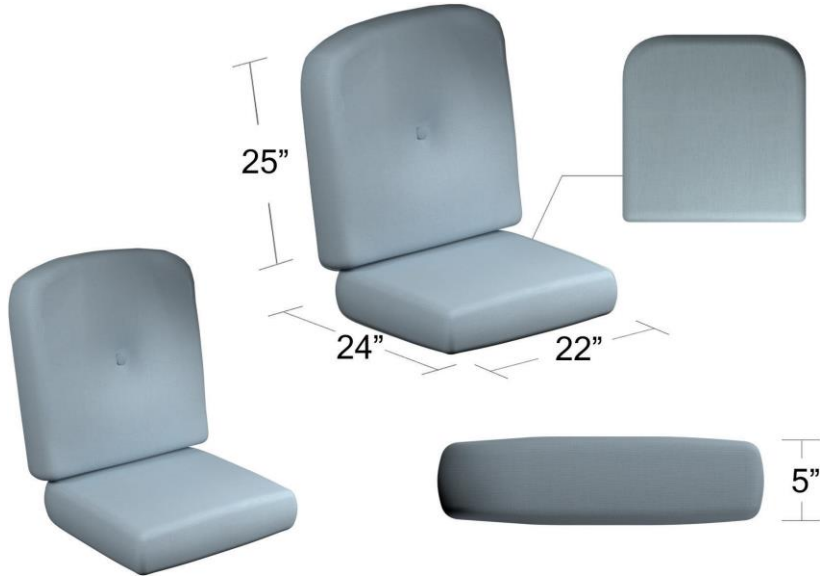


DEEP SEATING



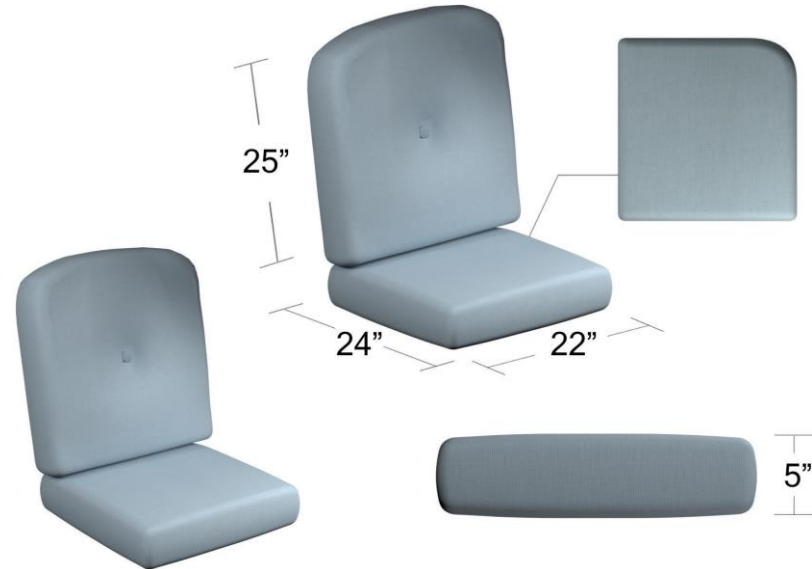
CUSH5223C

Seat: 22"W x 24"L x 5"Th. - Back: 24"W x 25"H x 7"Th.
Bullnose style with back button and tufted top corners



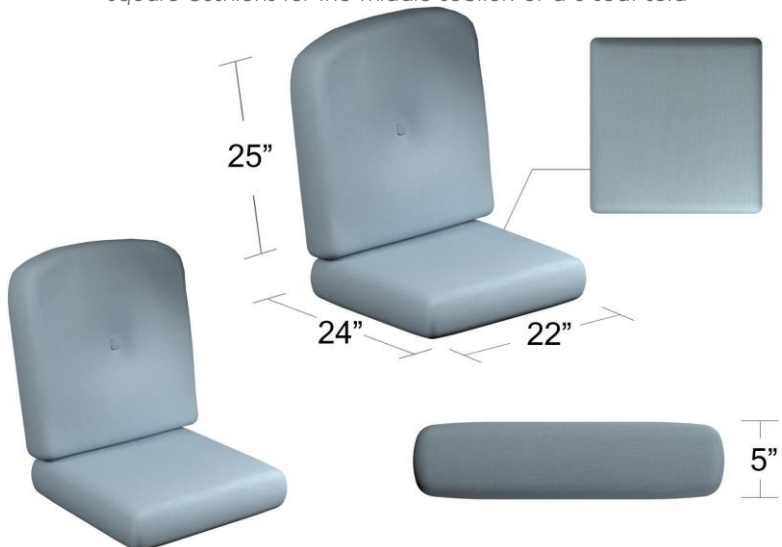
CUSH5223C-END

Seat: 22"W x 24"L x 5"Th. - Back: 24"W x 25"H x 7"Th.
Bullnose style with back button and tufted top corners
** Cushions for the ends of a 3 seat sofa*



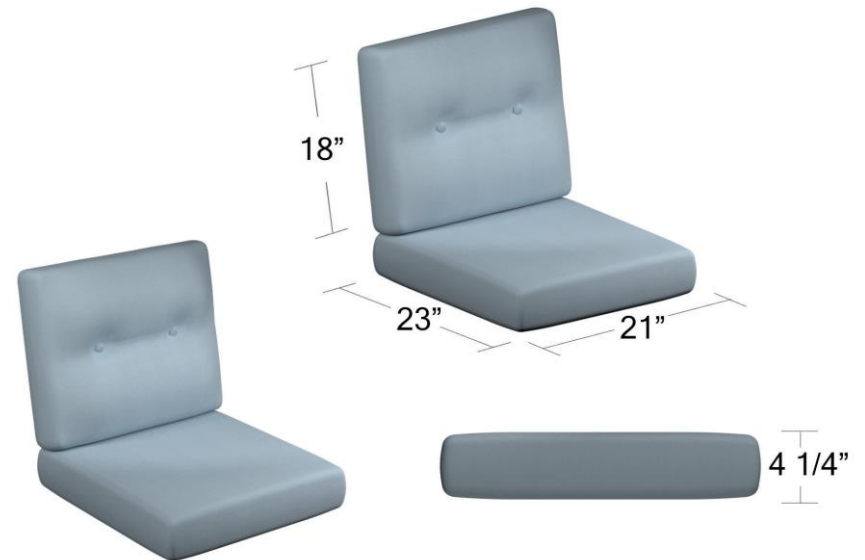
CUSH5223C-MID

Seat: 22"W x 24"L x 5"Th. - Back: 24"W x 25"H x 7"Th.
Bullnose style with back button and tufted top corners
** Square cushions for the middle section of a 3 seat sofa*



CUSH6510C

Seat: 21"W x 23"L x 4 1/4"Th. - Back: 21"W x 18"H x 4" Th.
Bullnose style with 2 back buttons, no welt



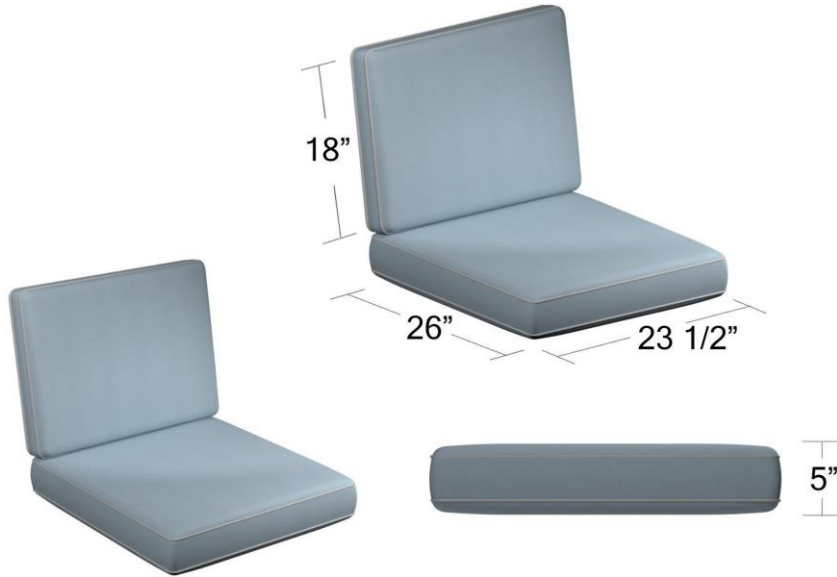


DEEP SEATING



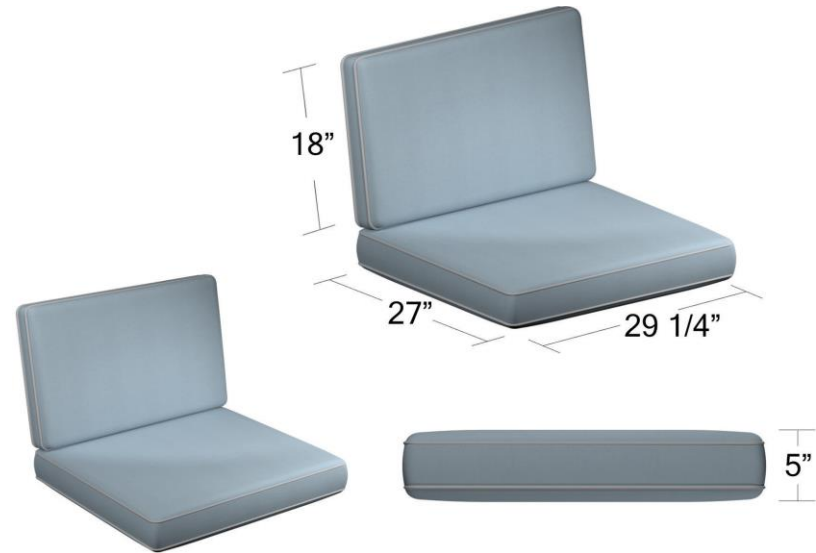
CUSH2015C

Seat: 23½"W x 26"L x 5"Th. - Back: 23½"W x 18"H x 4"Th.
Boxed style, with welt



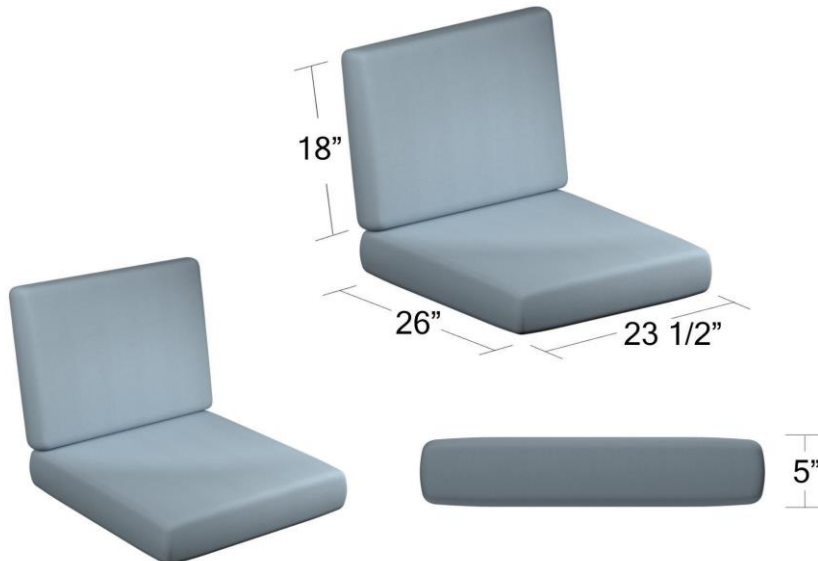
CUSH2015-END

Seat: 29¼"W x 27"L x 5"Th. - Back: 29¼"W x 18"H x 4"Th.
Boxed style, with welt
** Use 2 to make a sofa cushion set*



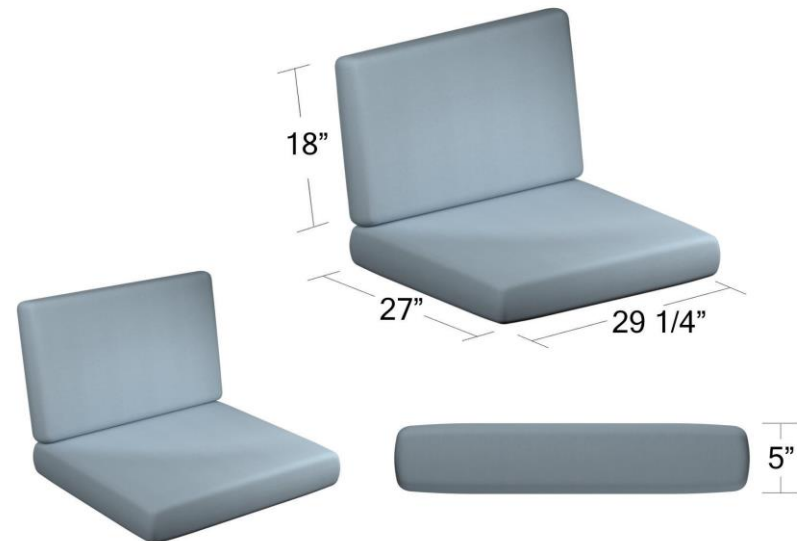
CUSH2016C

Seat: 23½"W x 26"L x 5"Th. - Back: 23½"W x 18"H x 4"Th.
Bullnose/waterfall style, no welt



CUSH2016-END

Seat: 29¼"W x 27"L x 5"Th. - Back: 29¼"W x 18"H x 4"Th.
Bullnose/waterfall style, no welt
** Use 2 to make a loveseat cushion set*



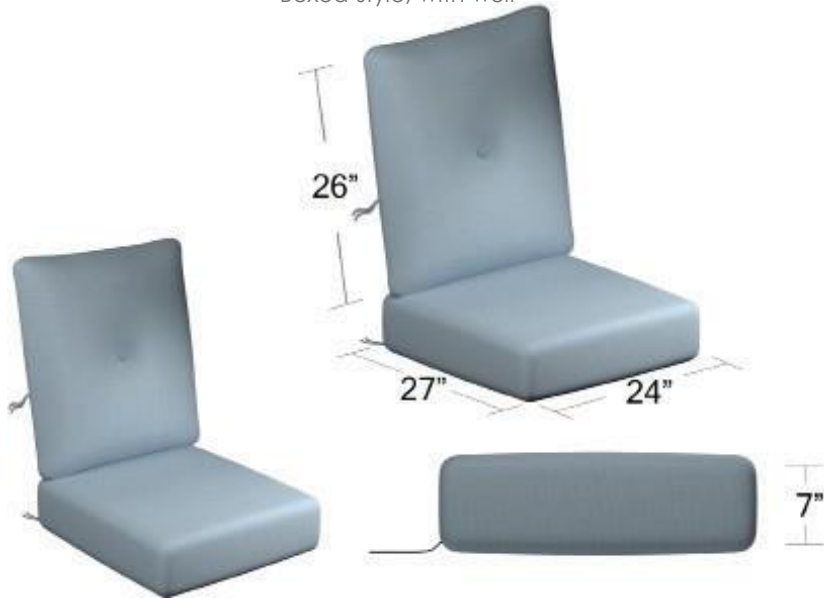


DEEP SEATING



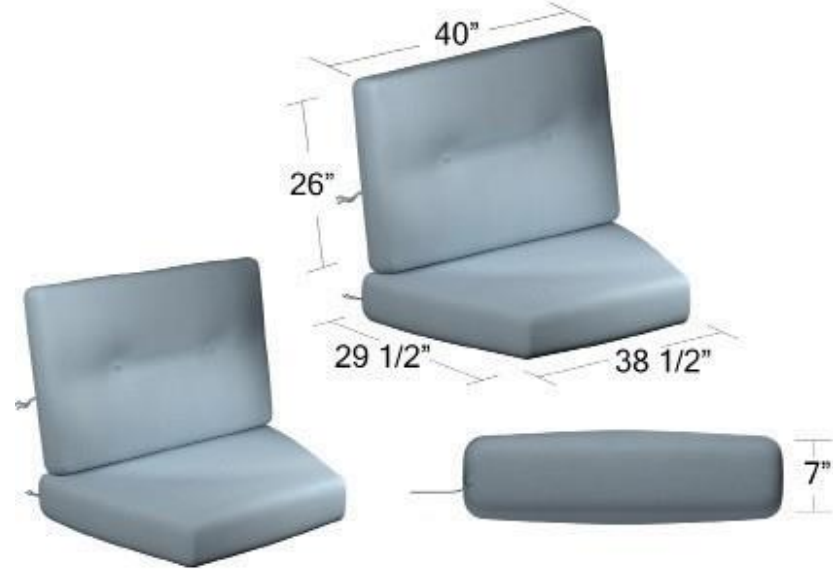
694184RC

Seat: 24"W x 27"L x 7"Th. - Back: 25"W x 26"H x 6"Th.
Boxed style, with welt



694936RC

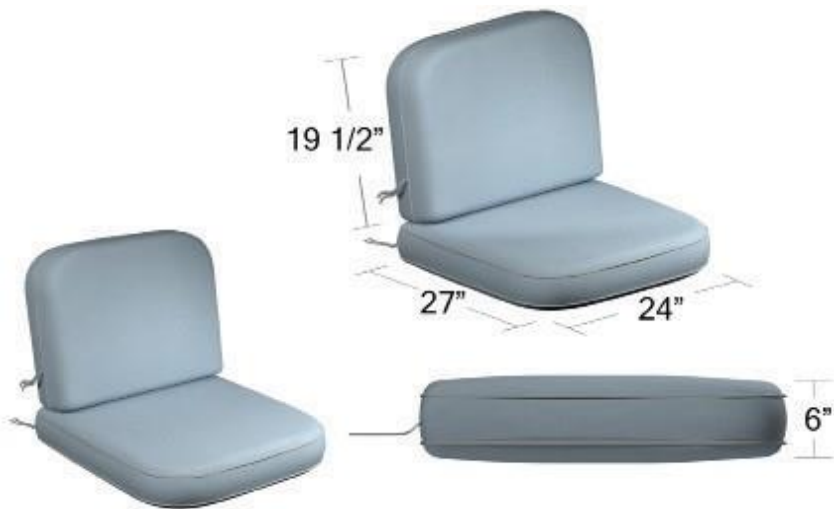
Seat: 29½"W x 38½"L x 7"Th. - Back: 26"W x 40"H x 7"Th.
Boxed style, no welt
** Use 3 to make a sofa cushion set*



GEN03RC

Seat: 24"W x 27"L x 6"Th. - Back: 24"W x 19½"H x 5"Th.
Boxed with welt

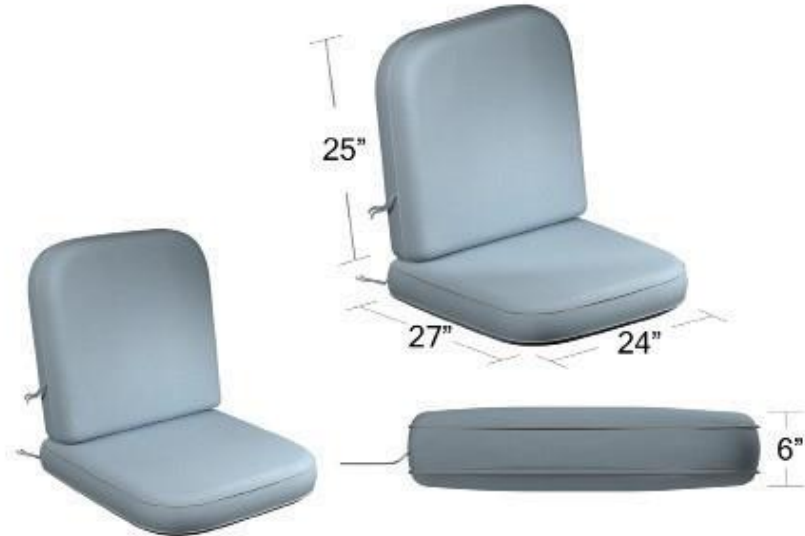
** Use 2 to make a loveseat cushion set. No curve on the inner seam*



GEN25RC

Seat: 24"W x 27"L x 6"Th. - Back: 24"W x 25"H x 5"Th.
Boxed with welt

** Use 2 to make a loveseat cushion set*

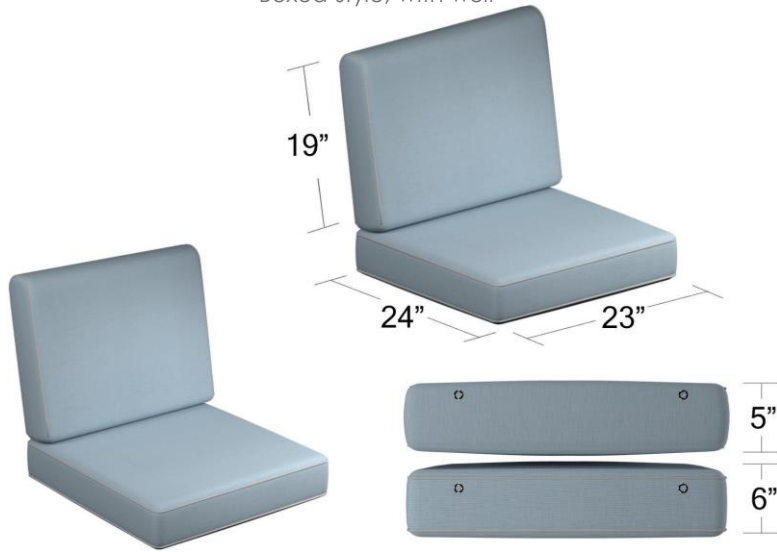




DEEP SEATING

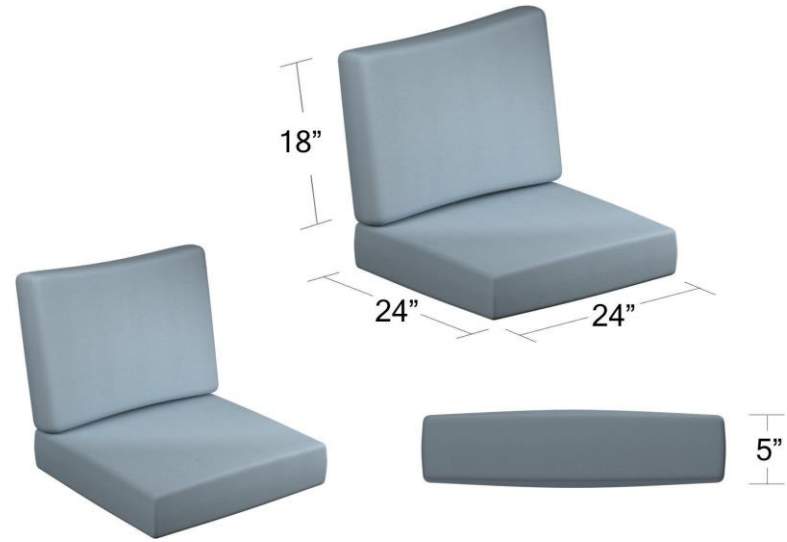
PW01C-RC

Seat: 23"W x 24"L x 6"Th. - Back: 23"W x 19"H x 5"Th.
Boxed style, with welt



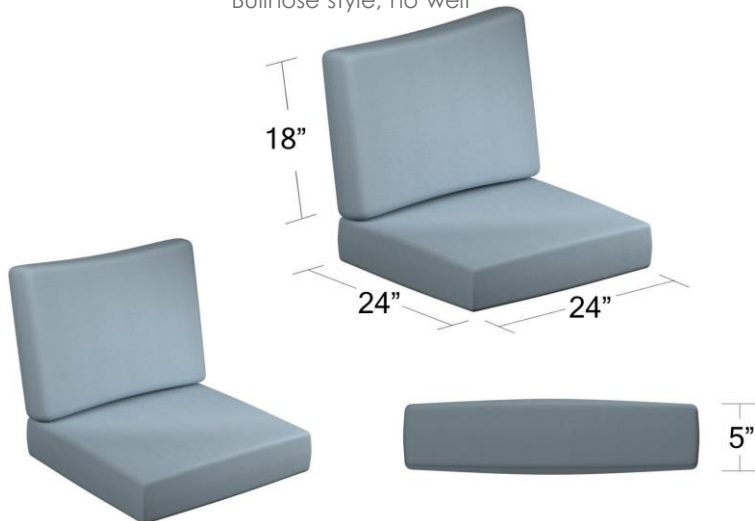
CUSH24C-0RC

Seat: 24"W x 24"L x 5"Th. - Back: 24"W x 18"H x 5"Th.
Boxed style, no welt



CUSH24C-1RC

Seat: 24"W x 24"L x 5"Th. - Back: 24"W x 18"H x 5"Th.
Bullnose style, no welt



SECTIONAL CORNERS





SECTIONAL



CUSH260SCC

Seat: 28³/₄"W x 29¹/₄"L x 6"Th. - Back: 25"/29¹/₄"W x 17³/₄"H x 6"Th.
Boxed style, with welt
* Cushion for 90° sectional corner



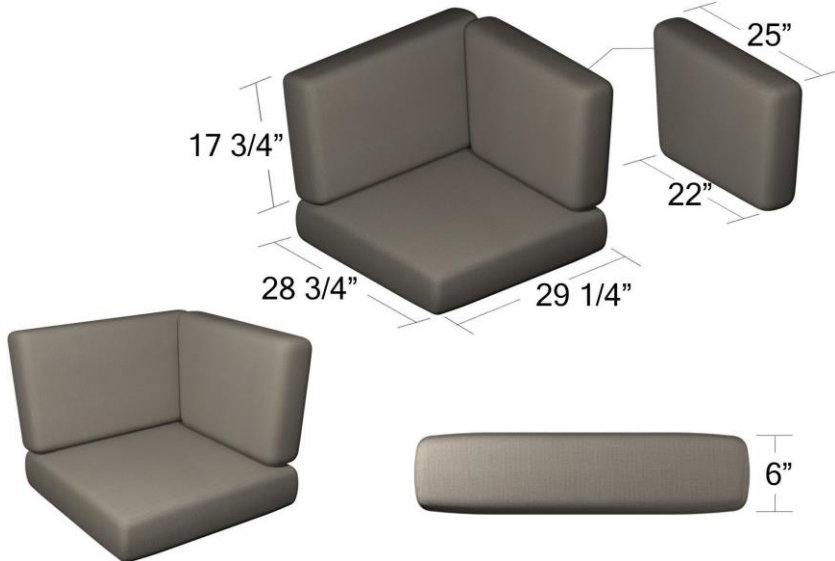
CUSH270SCC

Seat: 26"W x 25¹/₂"L x 6"Th. - Back: 24"/30¹/₂"W x 18¹/₂"H x 6"Th.
Boxed style, with welt
* Cushion for 90° sectional corner



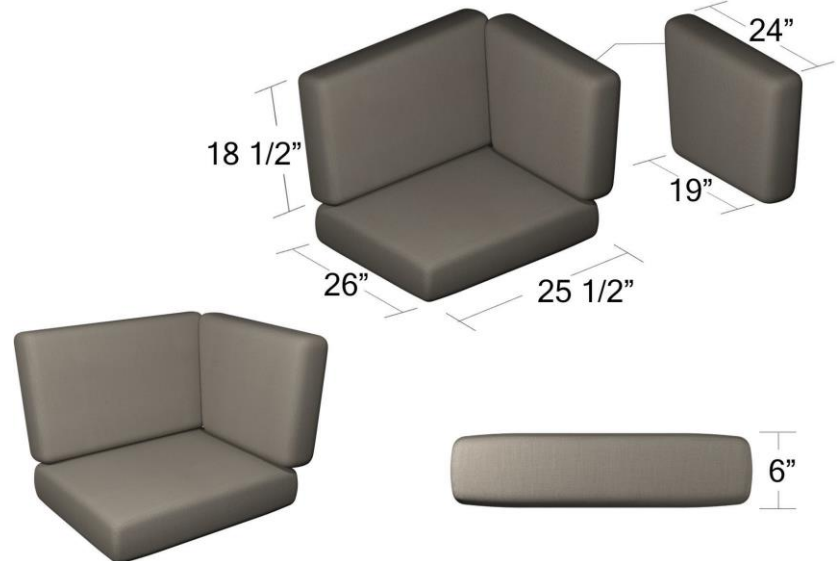
CUSH261SCC

Seat: 28³/₄"W x 29¹/₄"L x 6"Th. - Back: 25"/29¹/₄"W x 17³/₄"H x 6"Th.
Bullnose/waterfall seat cushions, knife edge back cushions
* Cushion for 90° sectional corner



CUSH271SCC

Seat: 26"W x 25¹/₂"L x 6"Th. - Back: 24"/30¹/₂"W x 18¹/₂"H x 6"Th.
Bullnose/waterfall seat cushions, knife edge back cushions
* Cushion for 90° sectional corner





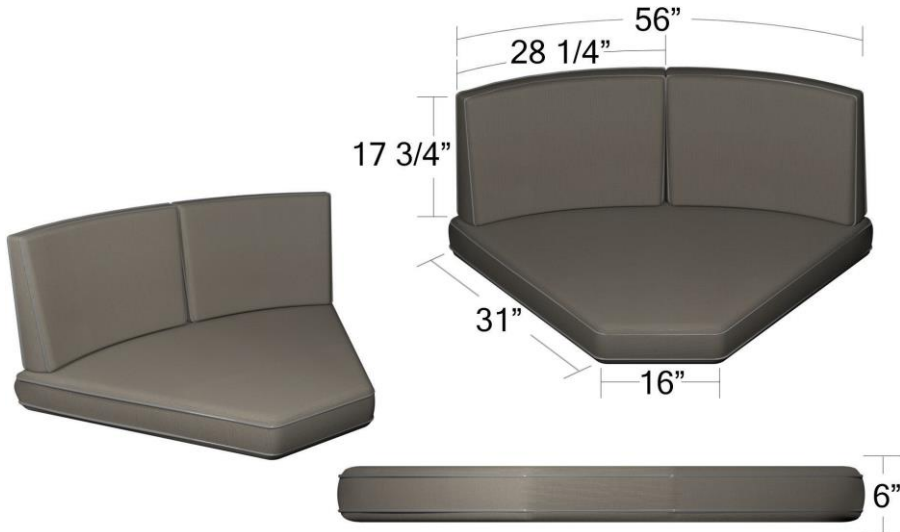
SECTIONAL



CUSH260SCC-45

Seat: 16"/56"W x 31½"L x 6"Th. - Back: 56"W x 17¼"H x 6"Th.
Boxed style, with welt

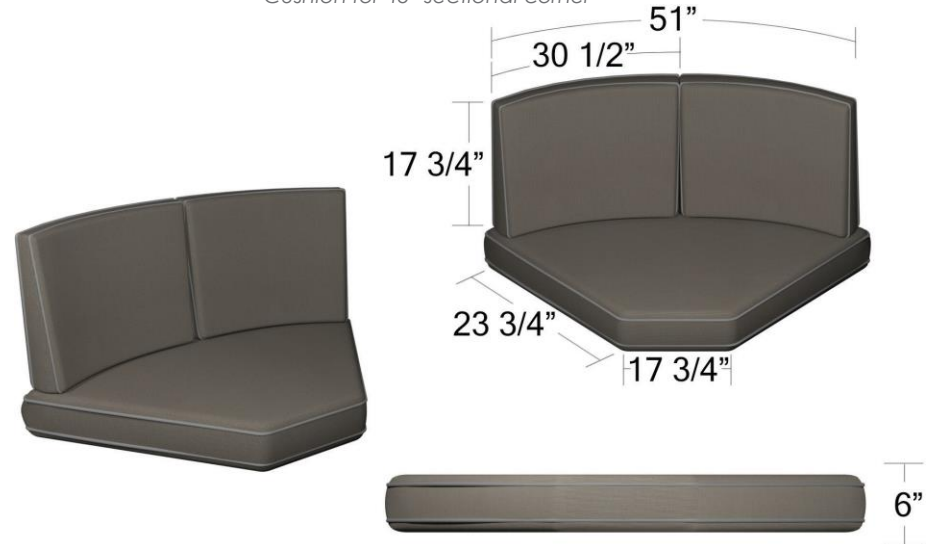
* Cushion for 45° sectional corner



CUSH270SCC-45

Seat: 17¼"/51"W x 28"L x 6"Th. - Back: 51"W x 17¼"H x 6"Th.
Boxed style, with welt

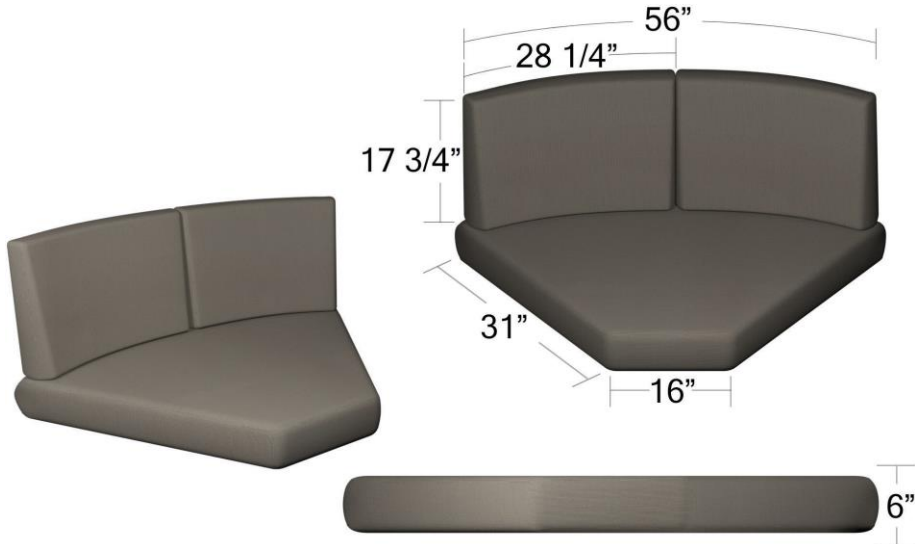
* Cushion for 45° sectional corner



CUSH261SCC-45

Seat: 16"/56"W x 31½"L x 6"Th. - Back: 56"W x 17¼"H x 6"Th.
Bullnose/waterfall seat cushions, knife edge back cushions

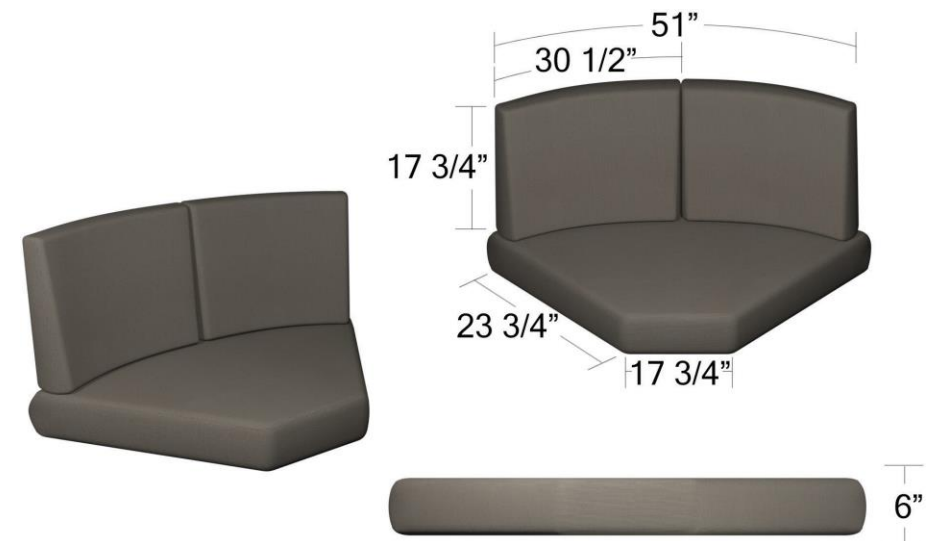
* Cushion for 45° sectional corner



CUSH271SCC-45

Seat: 17¼"/51"W x 28"L x 6"Th. - Back: 51"W x 17¼"H x 6"Th.
Bullnose/waterfall seat cushions, knife edge back cushions

* Cushion for 90° sectional corner





SECTIONAL

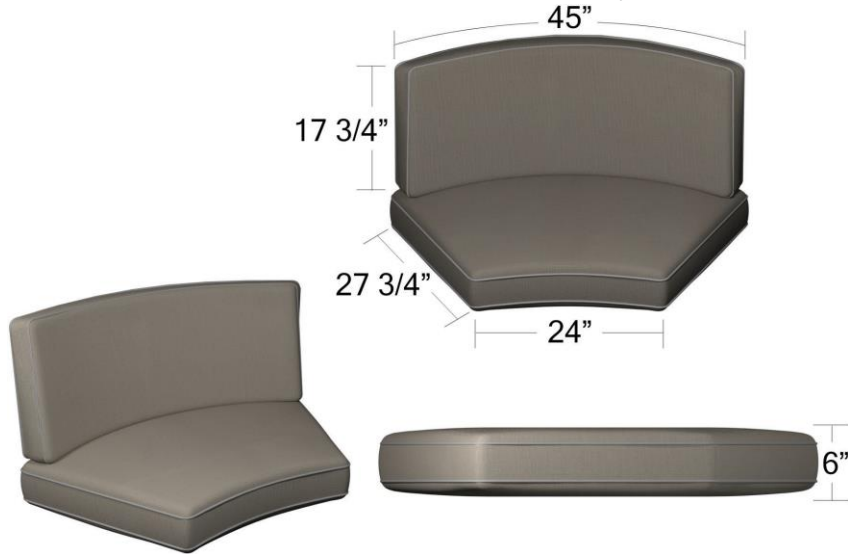


CUSH2603SC

Seat: 24"/45"W x 27 3/4"L x 6"Th. - Back: 45"W x 17 3/4"H x 6"Th.

Boxed style, with welt

* Cushion for contour sectional piece

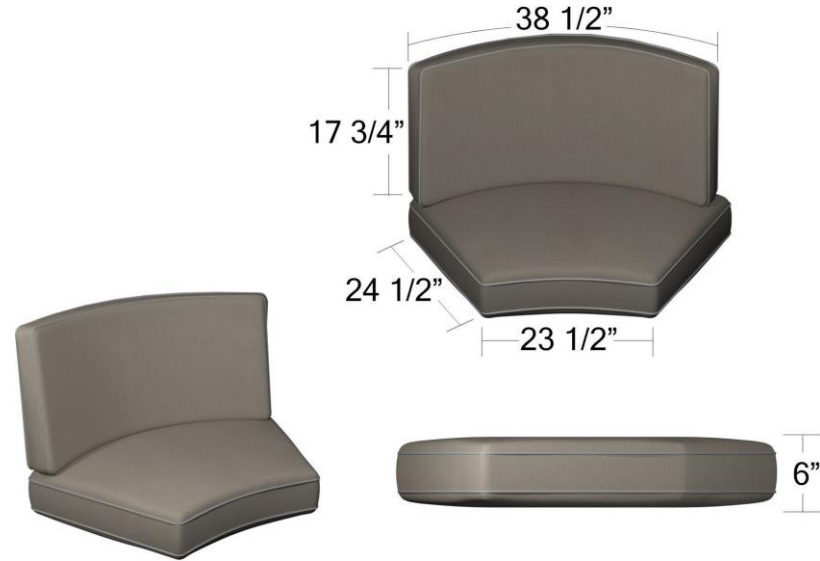


CUSH2703SC

Seat: 23 1/2"/38 1/2"W x 24 1/2"L x 6"Th. - Back: 38.5"W x 17 3/4"H x 6"Th.

Boxed style, with welt

* Cushion for contour sectional piece

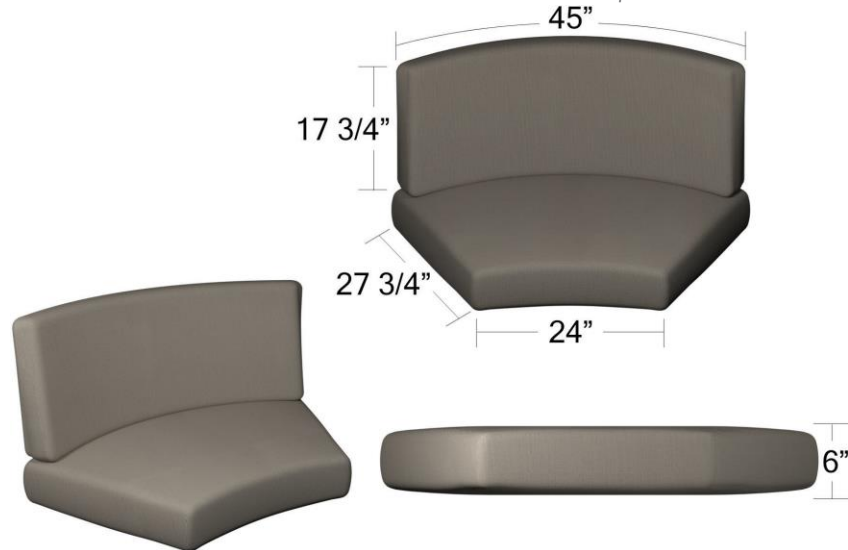


CUSH2613SC

Seat: 24"/45"W x 27 3/4"L x 6"Th. - Back: 45"W x 17 3/4"H x 6"Th.

Bullnose/waterfall seat cushions, knife edge back cushions

* Cushion for contour sectional piece

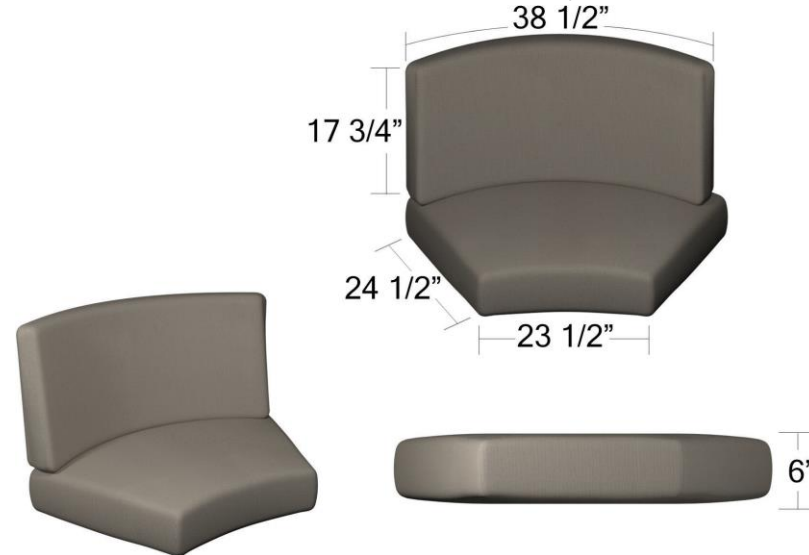


CUSH2713SC

Seat: 23 1/2"/38 1/2"W x 24 1/2"L x 6"Th. - Back: 38 1/2"W x 17 3/4"H x 6"Th.

Bullnose/waterfall seat cushions, knife edge back cushions

* Cushion for contour sectional piece



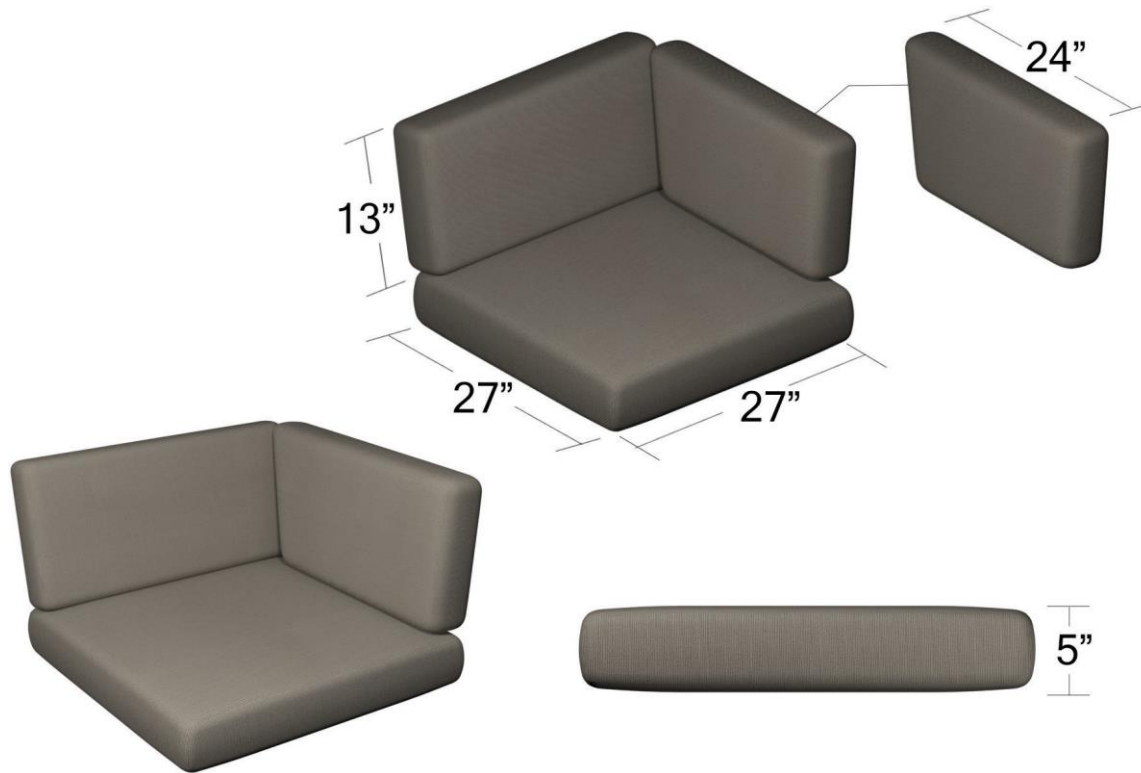


SECTIONAL



CUSH283SCC

Seat: 27"W x 27"L x 5"Th. - Back: 24"/27"W x 13"H x 4"Th.
Bullnose/waterfall seat cushions, knife edge back cushions
** Cushion for 90° sectional corner*



THROW PILLOWS



CUSHTH15: 15" square throw pillow, with or without welt

CUSHTH16: 16" square throw pillow, with or without welt

CUSHTH18: 18" square throw pillow, with or without welt

CUSHTH20: 20" square throw pillow, with or without welt

CUSHTH24: 24" square throw pillow, with or without welt



CUSBOL827

8" x 27" bolster pillow
with or without welt



CUSHTHK

17" x 12" kidney pillow
with or without welt



CUSHLUM717

7" x 17" lumbar pillow
with or without welt



CUSHLUM820

8" x 20" lumbar pillow
with or without welt



LUXE INDIGO
GRADE F



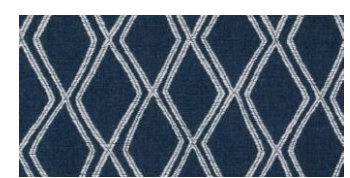
CANVAS NAVY
GRADE A



HELENA MIST
GRADE B



SPECTRUM INDIGO
GRADE A



VOYAGE INDIGO
GRADE E



ESCAPE DENIM
GRADE F



LIDO INDIGO
GRADE C



RELATE HARBOR
GRADE C



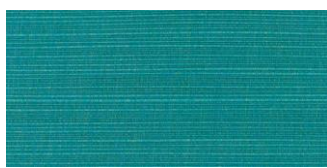
DREAM MIST
GRADE E



VIOLETTA BALTIC
GRADE F



CAST BREEZE
GRADE A



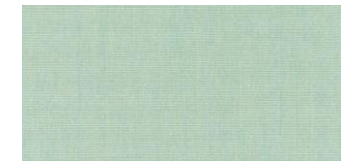
DUPIONE DEEP SEA
GRADE B



SPECTRUM DENIM
GRADE A



CAST HORIZON
GRADE A



CANVAS SPA
GRADE A



GATEWAY MIST
GRADE A



BLISS DEW
GRADE A



PRINCIPLE LAGOON
GRADE E



BRAVADA LIMELITE
GRADE B



CANVAS AIR BLUE
GRADE A



SPECTRUM CILANTRO
GRADE B



COMPLEMENT CILANTRO
GRADE B



BLISS ALOE
GRADE A



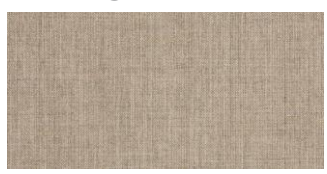
SPECTRUM MUSHROOM
GRADE A



SPECTRUM SAND
GRADE A



MILANO CHAR
GRADE A

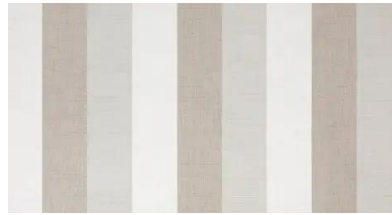


CAST ASH
GRADE A

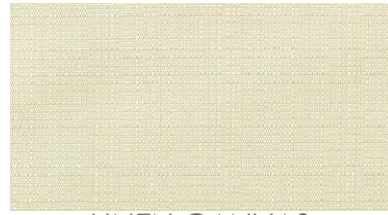


CANVAS CANVAS
GRADE A





DIRECTION LINEN
GRADE D



LINEN CANVAS
GRADE B



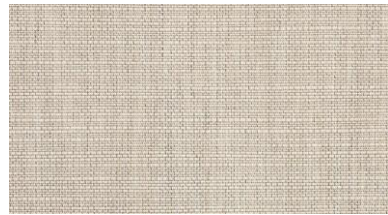
SPECTRUM DOVE
GRADE A



FRETWORK PEWTER
GRADE E



COVE PEBBLE
GRADE A



ECHO ASH
GRADE B



CANVAS NATURAL
GRADE A



CANVAS GRANITE
GRADE A



FRETWORK FLAX
GRADE E



VOYAGE DUNE
GRADE E



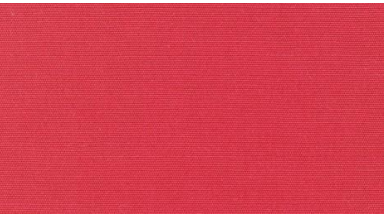
CAST SHALE
GRADE A



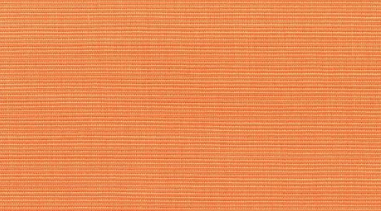
DREAM DUNE
GRADE E



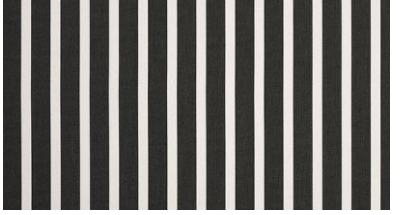
MOMENTO DOVE
GRADE F



CANVAS JOCKEY RED
GRADE B



CANVAS TANGERINE
GRADE B



SHORE CLASSIC
GRADE B



CANVAS BLACK
GRADE A

Enduring Color

- UV resistant; colors stay strong and vibrant under intense sunlight
- Bleach cleanable and Chlorine Resistant

Worry Free

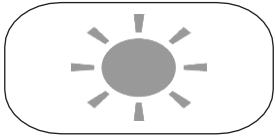
- Stain and mildew resistant
- Easy to clean

Fade-resistant – Sunbrella fabric is unmatched in resistance to fading and the degrading effects of sunlight.

Colorfastness – Sunbrella fibers are saturated with highly UV stable pigments. Traditional dyeing methods only add color to the fiber exterior. Sunbrella fabrics' performance characteristics are an integral part of the fabric, not an applied finish that would wash off over time. Think of a carrot versus a radish.

Durable – Sunbrella fabric retains its strength after years of cleaning and weathering.

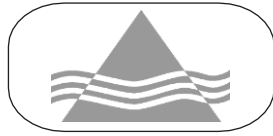




All-weather fabric



Stain-resistant



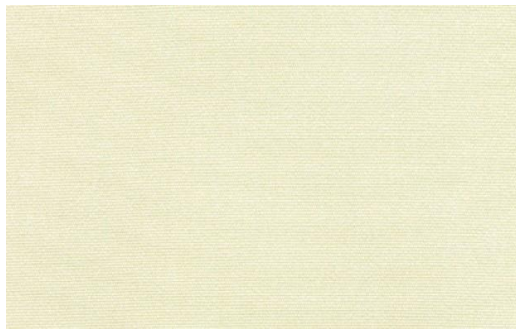
Bleach cleanable



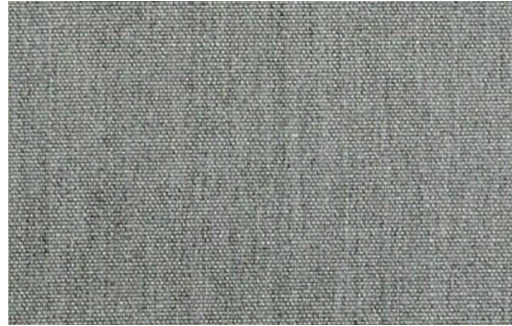
Soft & breathable



BELENOS
PERFORMANCE FABRIC



SOLID PEARL
13737324



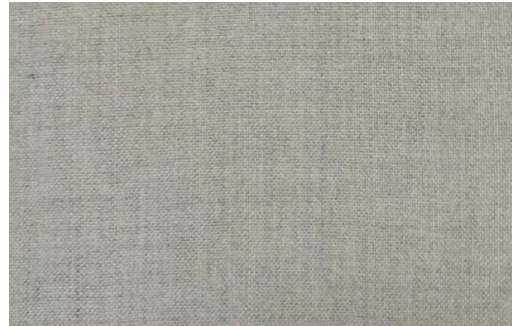
BLENDED GREY
15243071



SPECIALTY SANDWOOD
13751031



SPECIALTY TOASTED GREY
13737032



TEXTURED SILVER
13737033



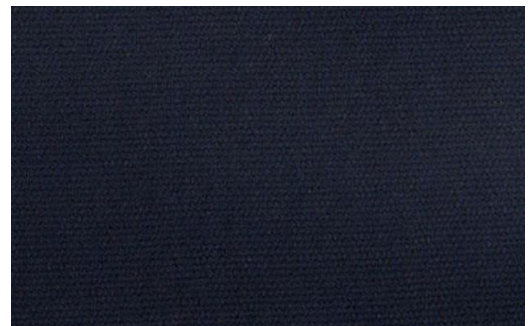
BLENDED CELESTE
13737813



SPECIALTY KASHMIR BLUE
13737086



SPECIALTY SUMATRAN BLUE
13751004



SOLID NAUTICAL BLUE
13750489

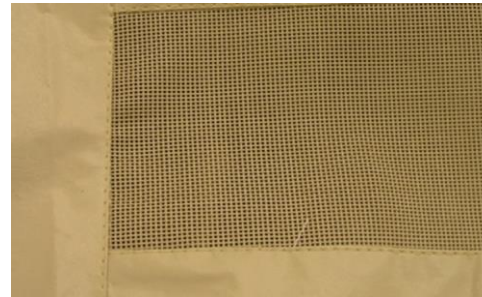
UMBRELLAS

- All umbrella canopies are made from Sunbrella® 100% solution-dyed acrylic fabric
- All umbrella frames are made by Treasure Garden®, the industry leader in outdoor umbrella frame production
- 7.5' Push Button Tilt Market Umbrella features adjustable tilt for shade coverage and crank-to-open functionality
- 9' and 11' Market Umbrellas feature adjustable tilt for shade coverage, and a crank to open and tilt in a contemporary housing design



FURNITURE COVERS

- Protect your outdoor furniture with our weather-resistant covers
- Durable, vented vinyl to reduce condensation and lofting
- Sturdy ties with toggle for a tight, custom fit
- Multiple styles are available including sets and sectionals
- Available in -stock with shipping in 10 business days or less
- Easy maintenance: simply clean with mild soap and water
- Covered by a 1 year manufacturers warranty





NorthCape Replacement Cushions

WWW.NORTHCAPE.COM

1411 ENTERPRISE DRIVE • ROMEOVILLE, IL 60446 • PHONE: 708.563.2890